

PROJECT:

ARCHITECT:

CONSTRUCTION MANAGER:

GENERAL NOTES:

- DIMENSIONS TO BE HELD BY C.M. TO THOSE SHOWN ON APPROVED SHOP DRAWINGS
- PERIMETER SEALANT TO BE TREMCO DYMONIC BRONZE
- ALUMINUM TO BE ISOLATED FROM DISSIMILAR MATERIALS
- ALUMINUM FRAMING TO MEET 25 PSF WINDLOAD

SHOP DRAWINGS FOR:

084313 ALUMINUM FRAMED STOREFRONTS  
084413 GLAZED ALUMINUM CURTAIN WALLS  
085113 ALUMINUM WINDOWS  
088000 GLAZING (EXTERIOR)

PAGE C1 = COVER  
PAGE P1 = PLAN  
PAGE E1 - E7 = ELEVATIONS  
PAGE D1 - D10 = DETAILS

TUBELITE FRAMING SYSTEMS:

T14000 I/O SERIES (U.N.O.)  
200 SERIES (WHERE INDICATED)

MODULINE WINDOWS

SERIES 30P ZERO SIGHTLINE (3" DEPTH)

WINDOW HARDWARE:

4-BAR HINGES; CAM LOCKS; LIMIT STOP  
TYPES B AND O TO HAVE MINGARDI MICRO S.200  
24VDC OPERATORS  
SCREENS: FLAT WITH ALUMINUM MESH &  
SLIDING WICKETS

ALUMINUM FINISH:

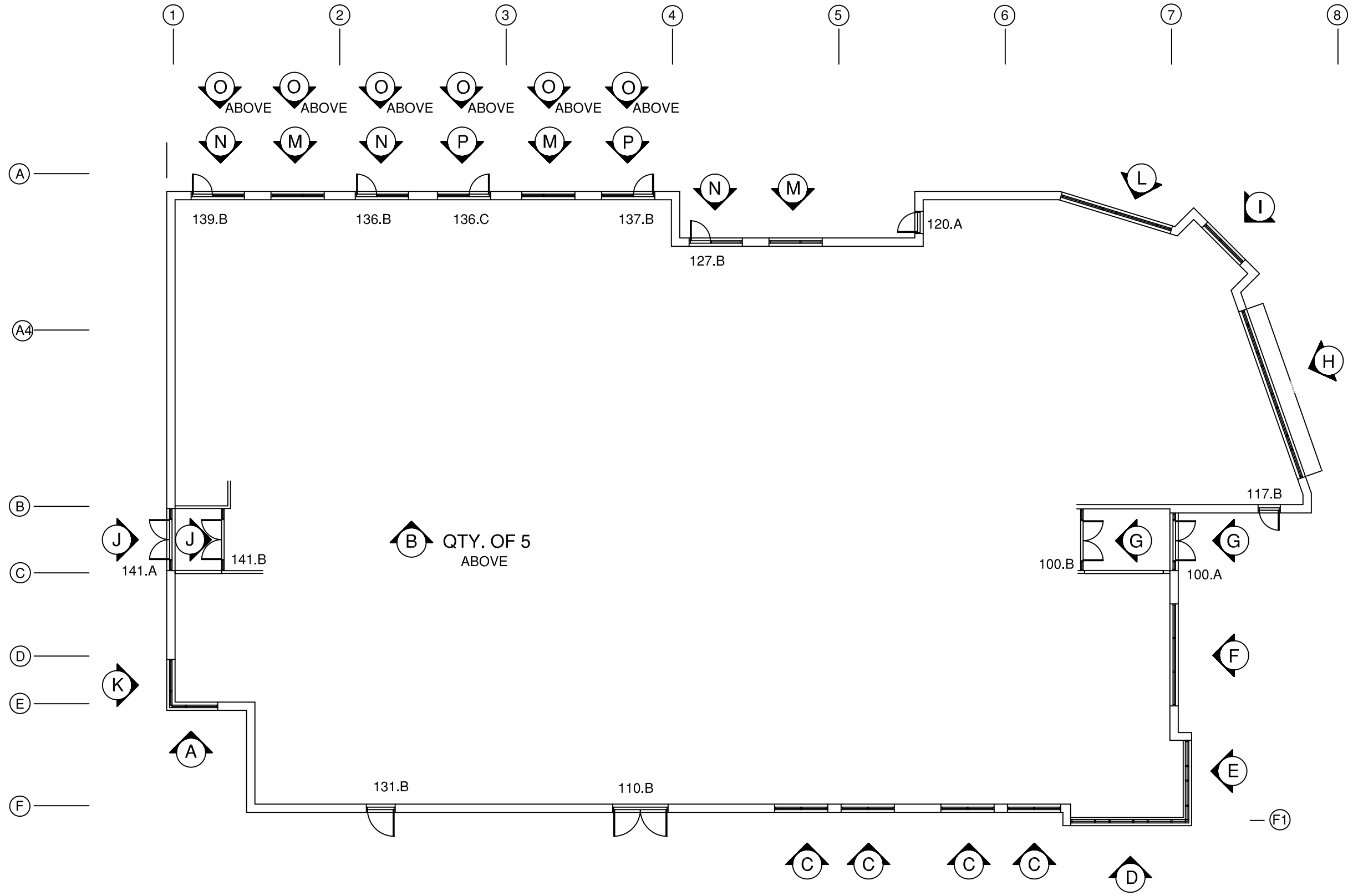
CLASS I DARK BRONZE ANODIZED

VIRACON GLASS TYPES:

IG-1: 1"OA--1/4" CRYSTAL GRAY HS VE-2M #2;  
1/2" AIRSPACE; 1/4" CLEAR ANNEALED  
IG-3: AS ABOVE--BOTH LITES TEMPERED (NOTED "T"  
ON ELEVATIONS)

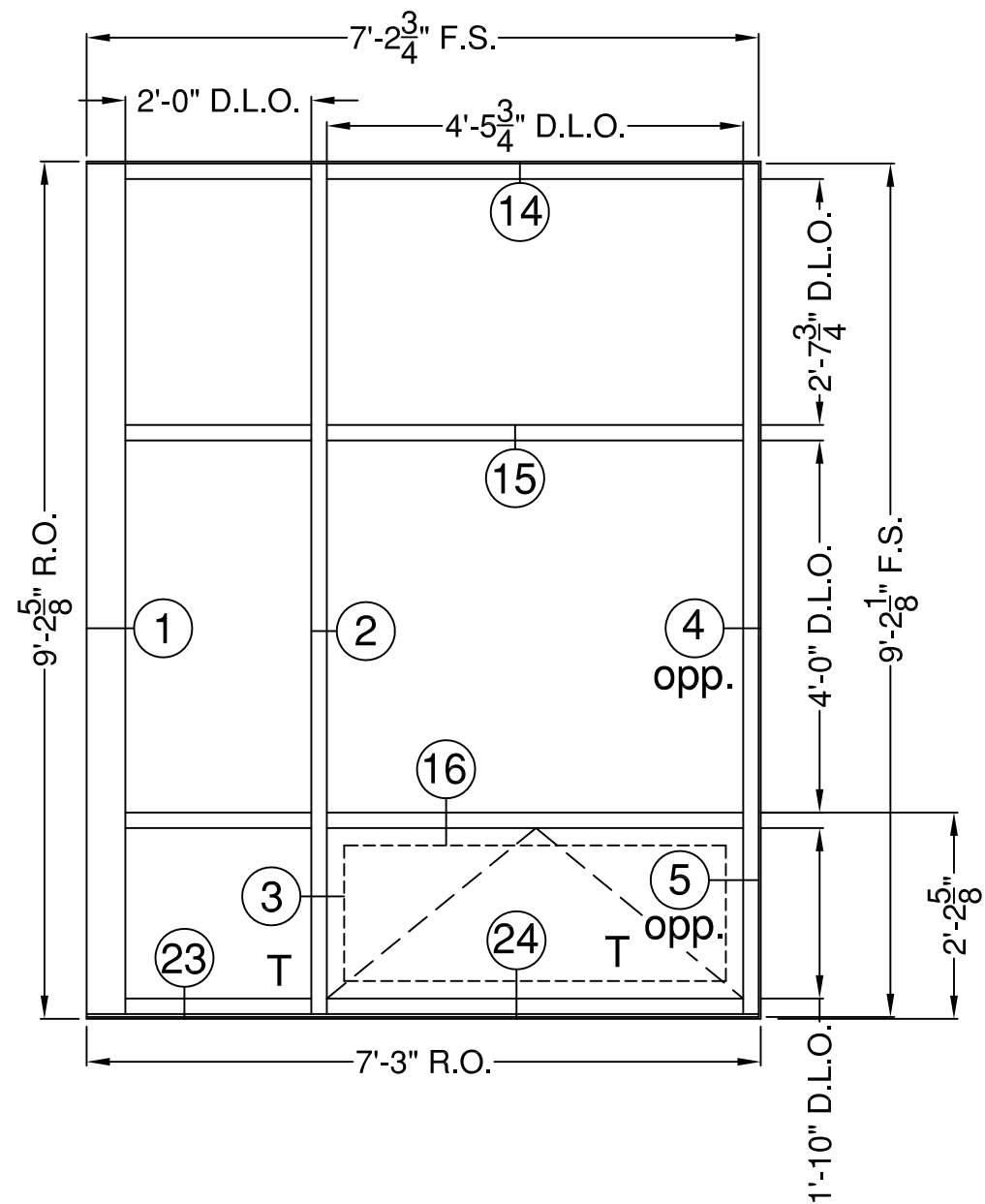
4/22/2009

PAGE C1

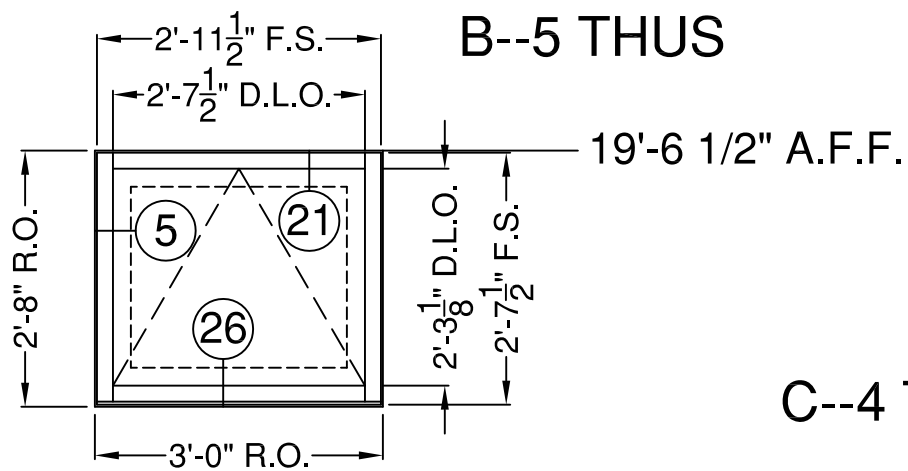


R.O. HEAD AT 10'-0" A.F.F.  
UNLESS NOTED OTHERWISE

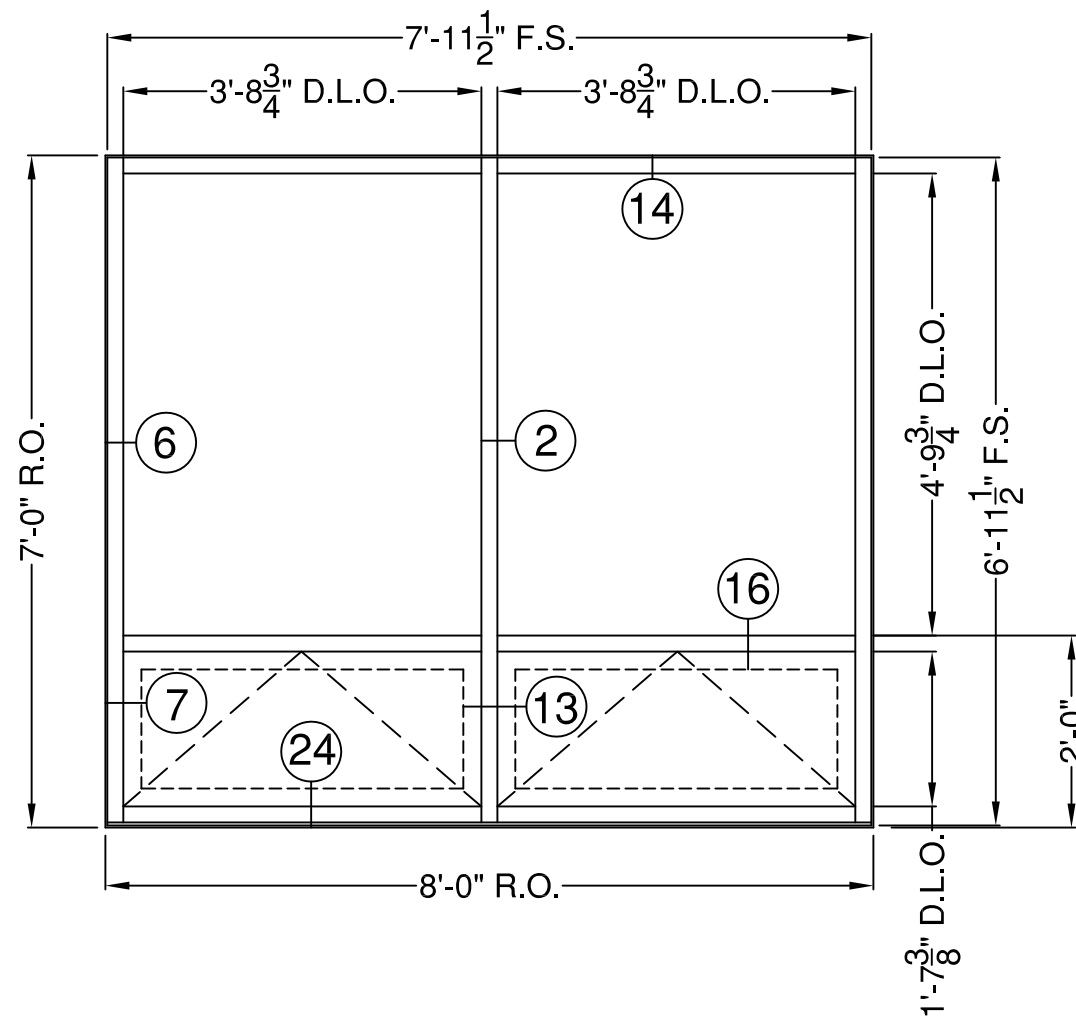
A--1 THUS



B--5 THUS

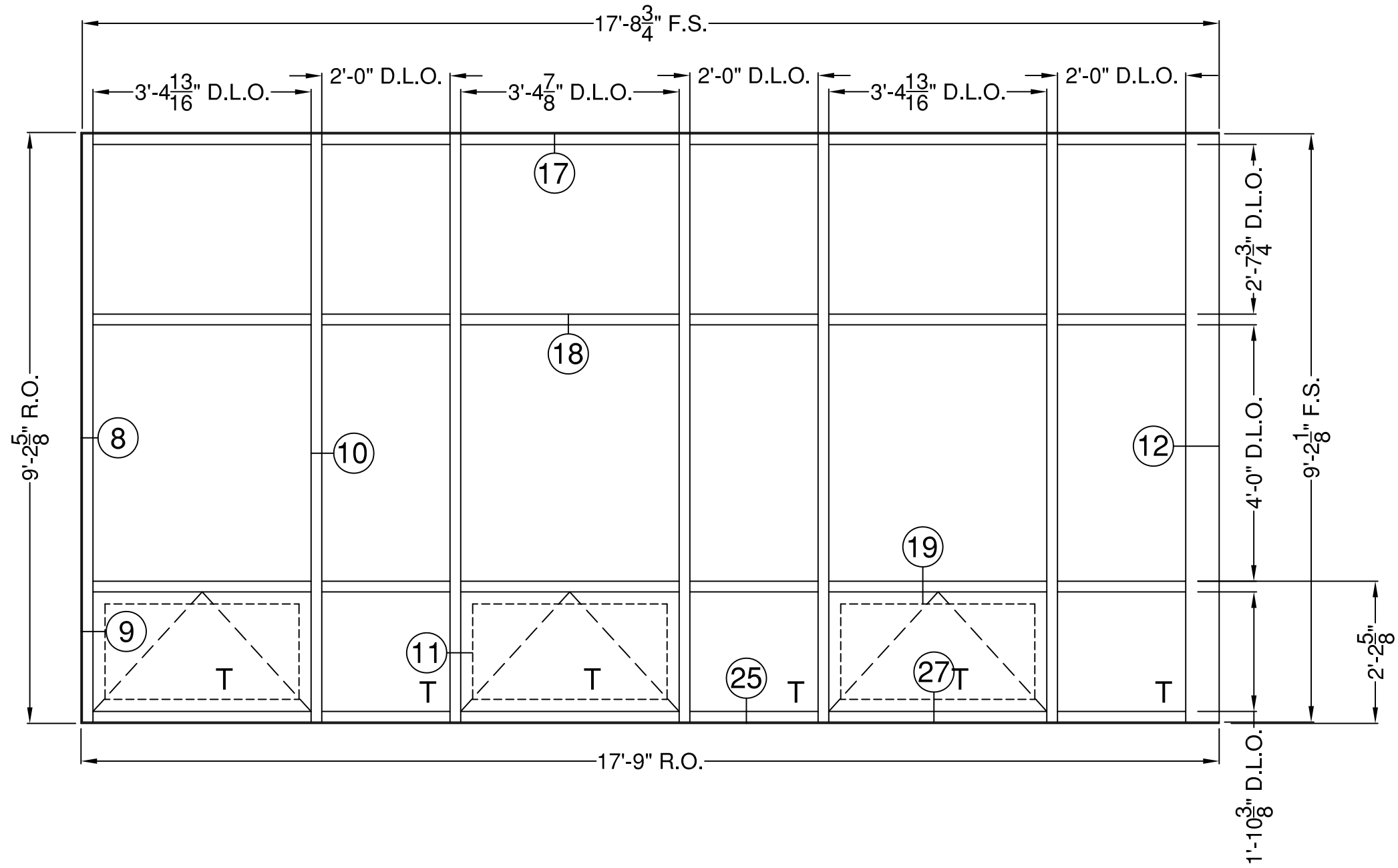


C--4 THUS

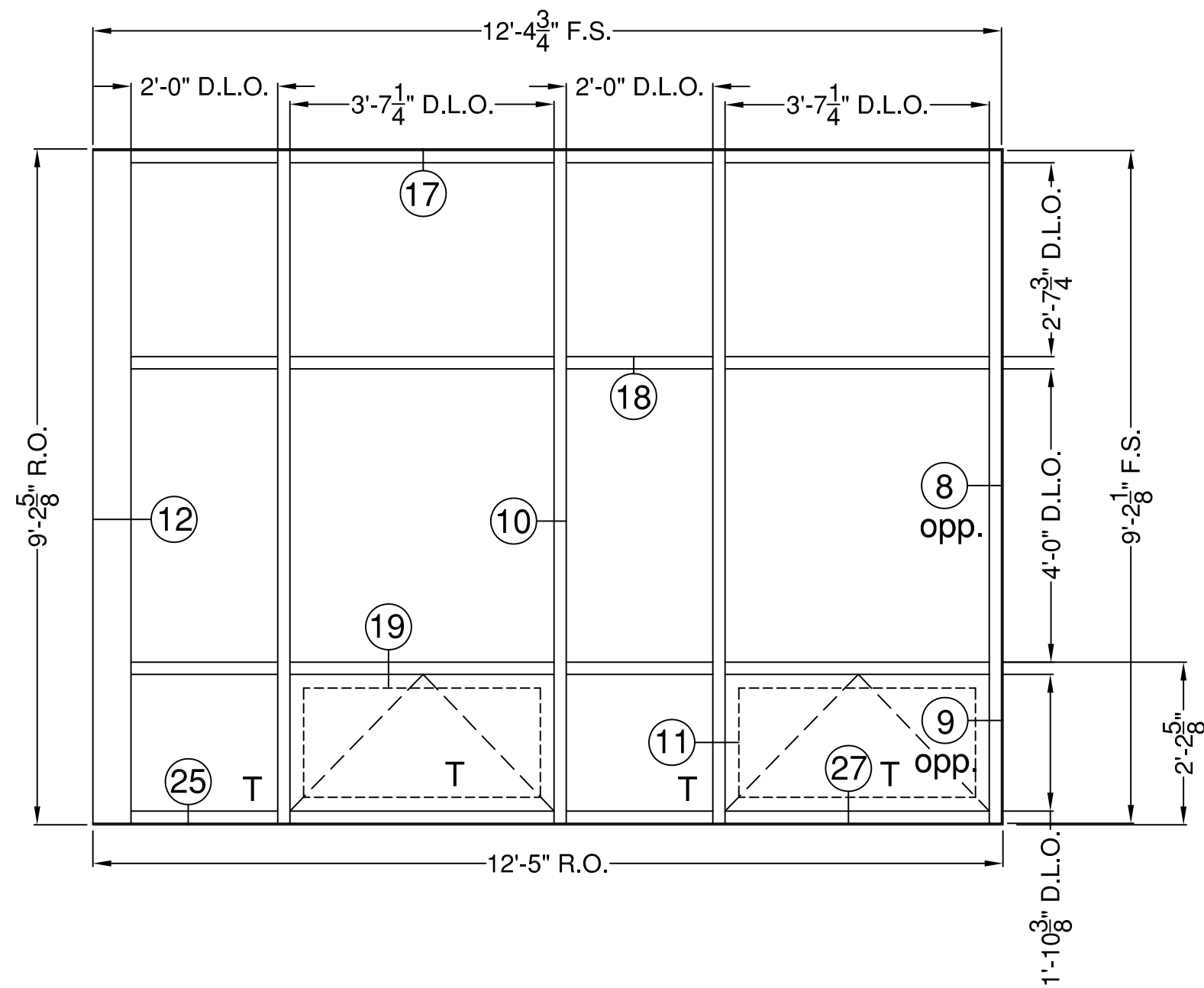


D.L.O. = DAYLIGHT OPENING  
F.S. = FRAME SIZE  
R.O. = ROUGH OPENING  
A.F.F. = ABOVE FINISH FLOOR  
OPP. = OPPOSITE VIEW

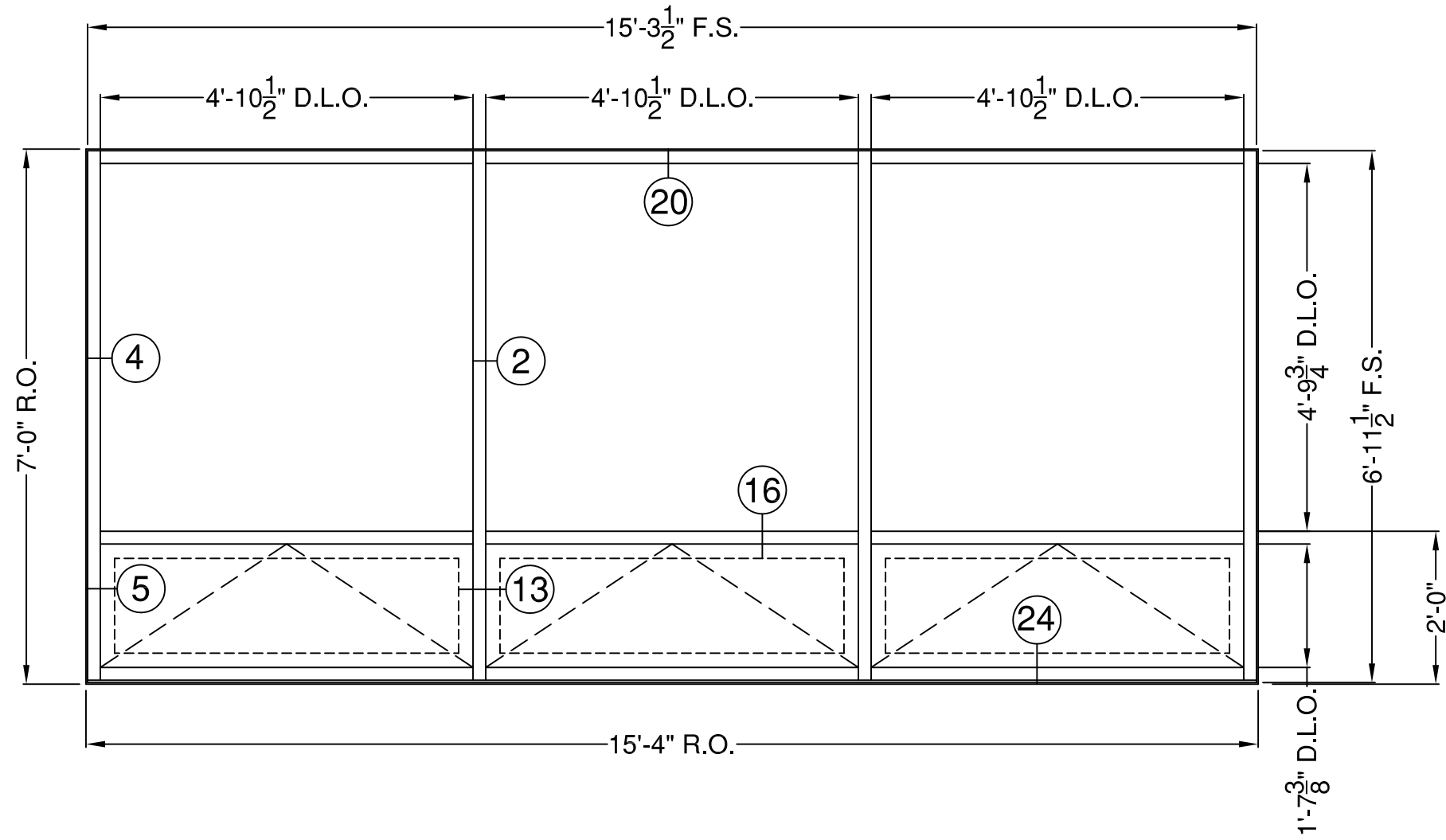
# D--1 THUS 200 SERIES CURTAINWALL



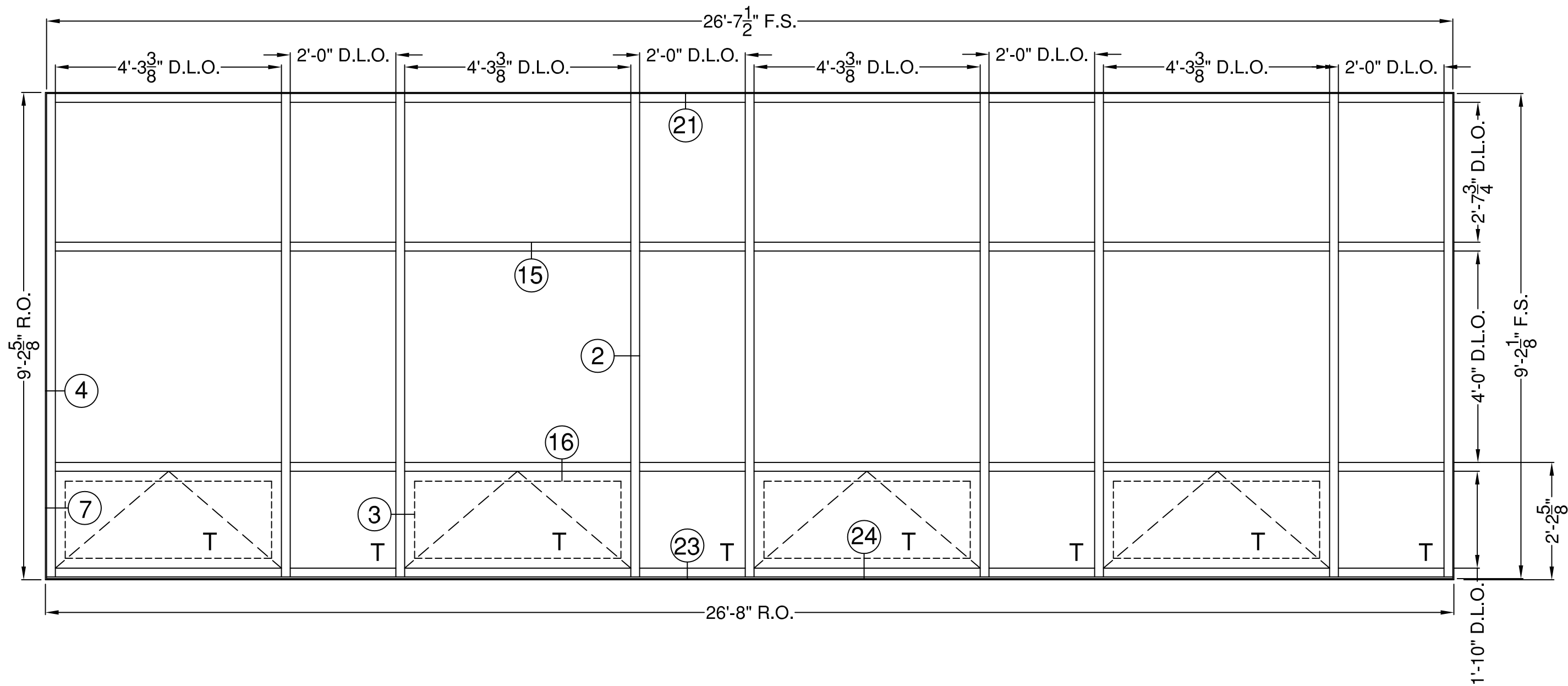
# E--1 THUS 200 SERIES CURTAINWALL



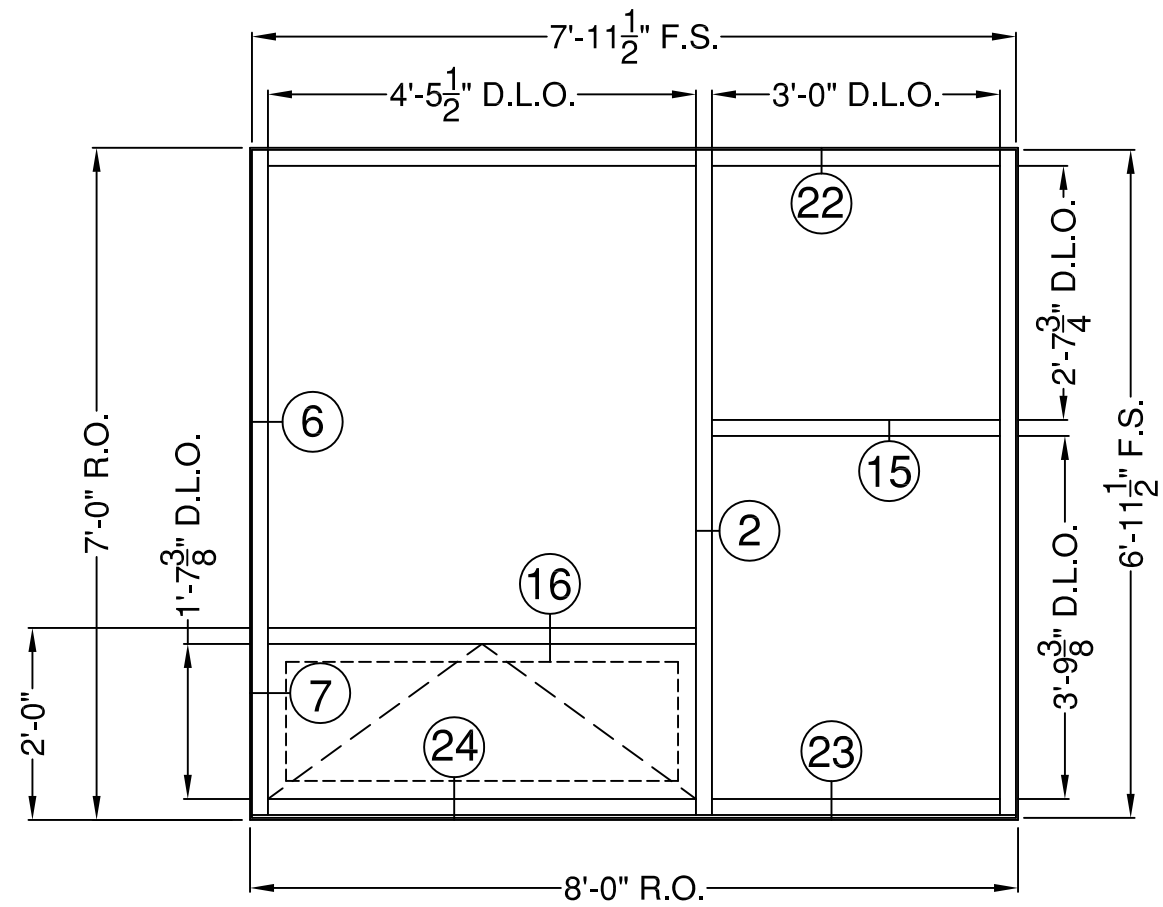
# F--1 THUS



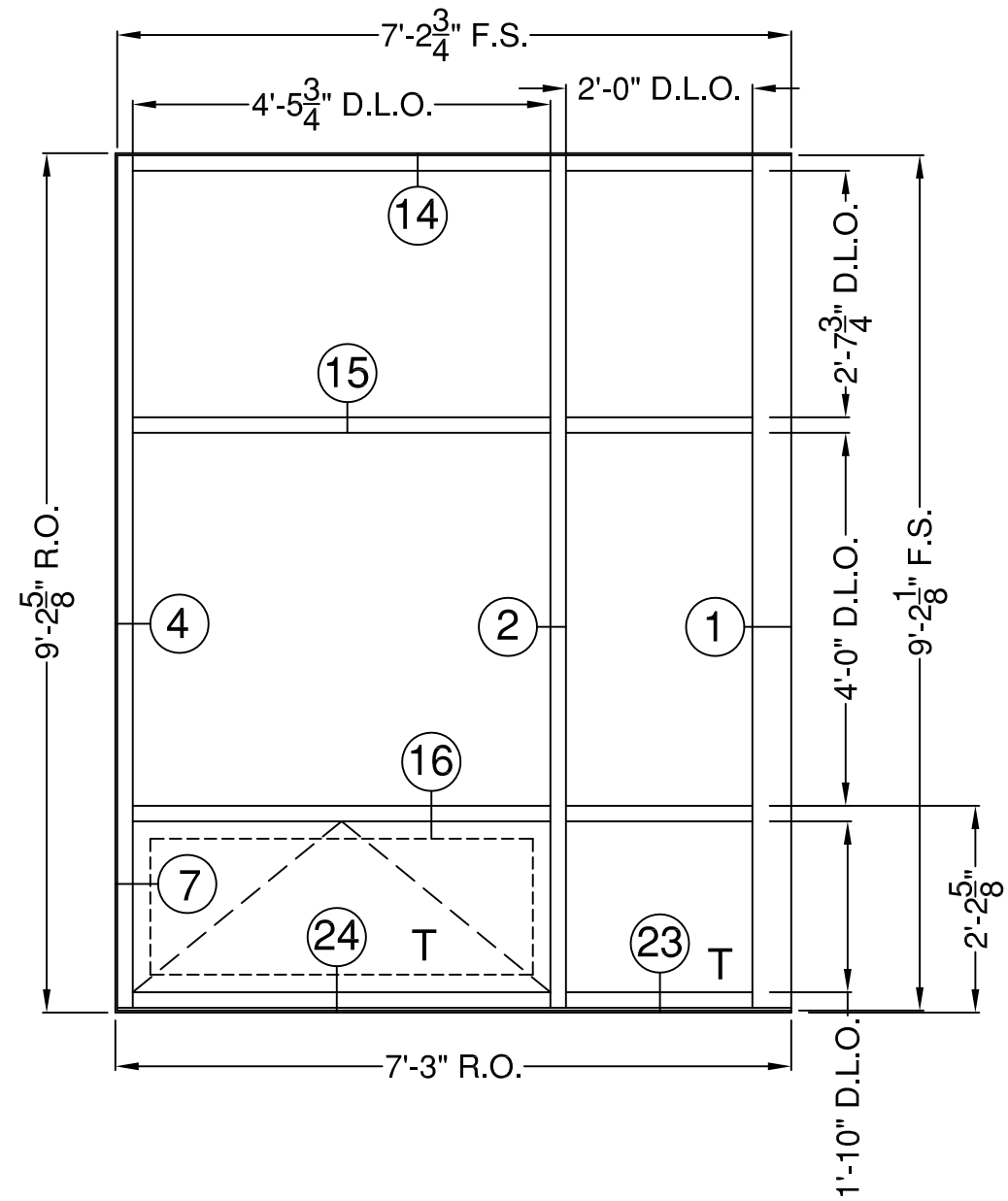
# H--1 THUS



### I--1 THUS

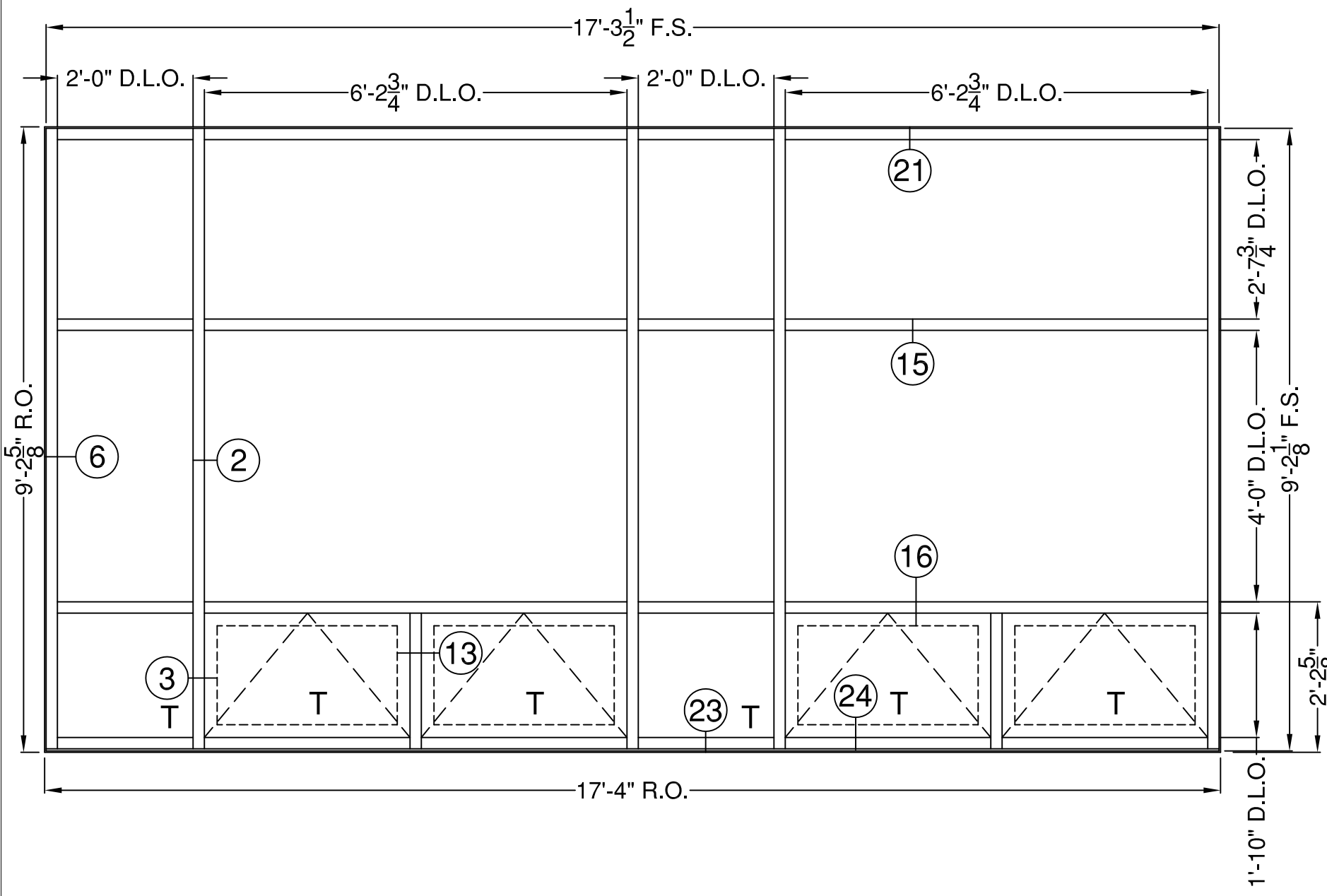


### K--1 THUS



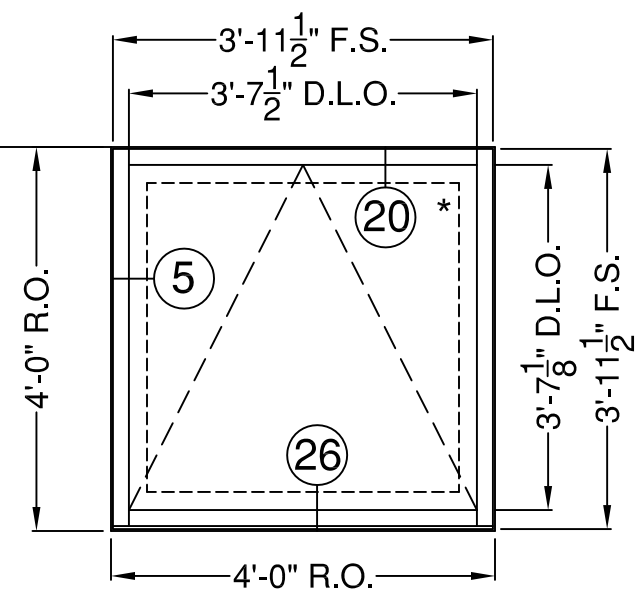


### L--1 THUS



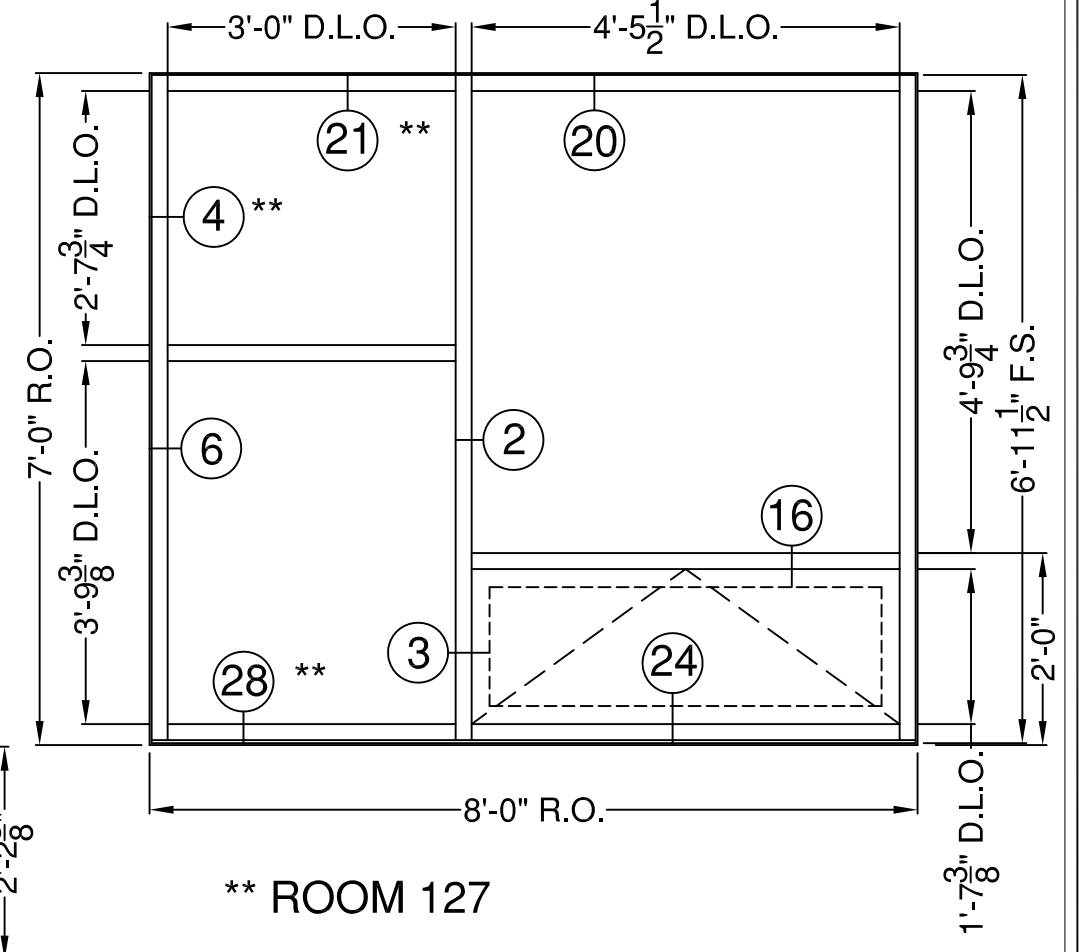
### O--8 THUS

19'-6 1/2" A.F.F.

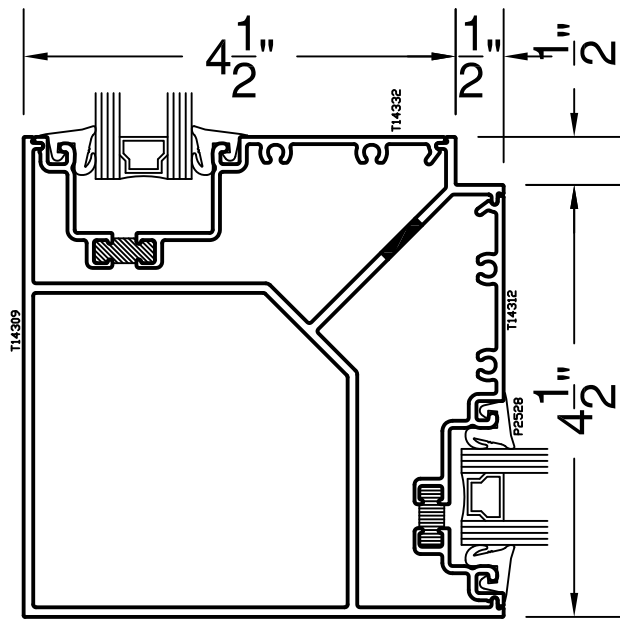


\* 21 @ ROOM 127

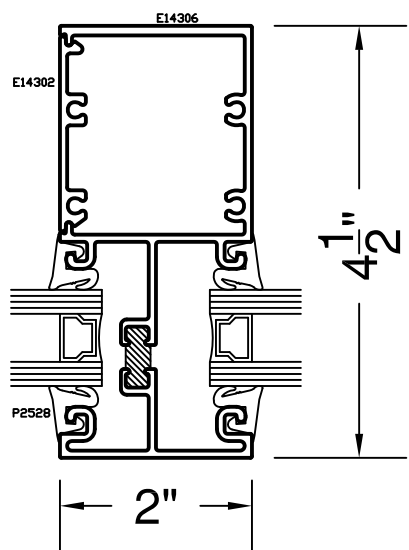
### M--2 THUS; 1 OPPOSITE



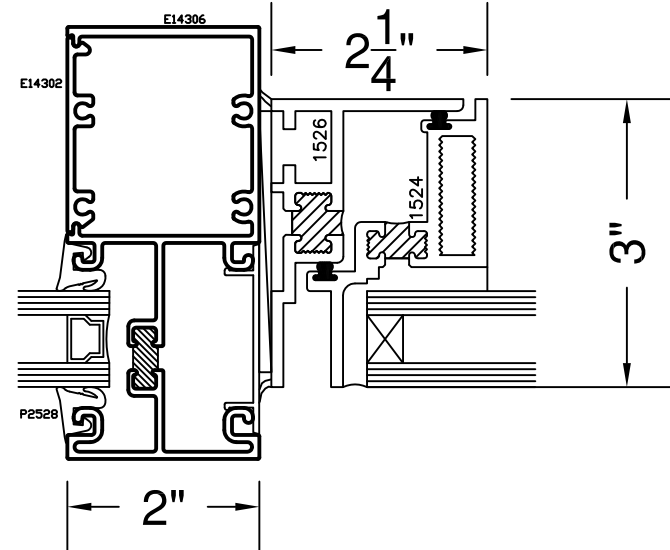
\*\* ROOM 127



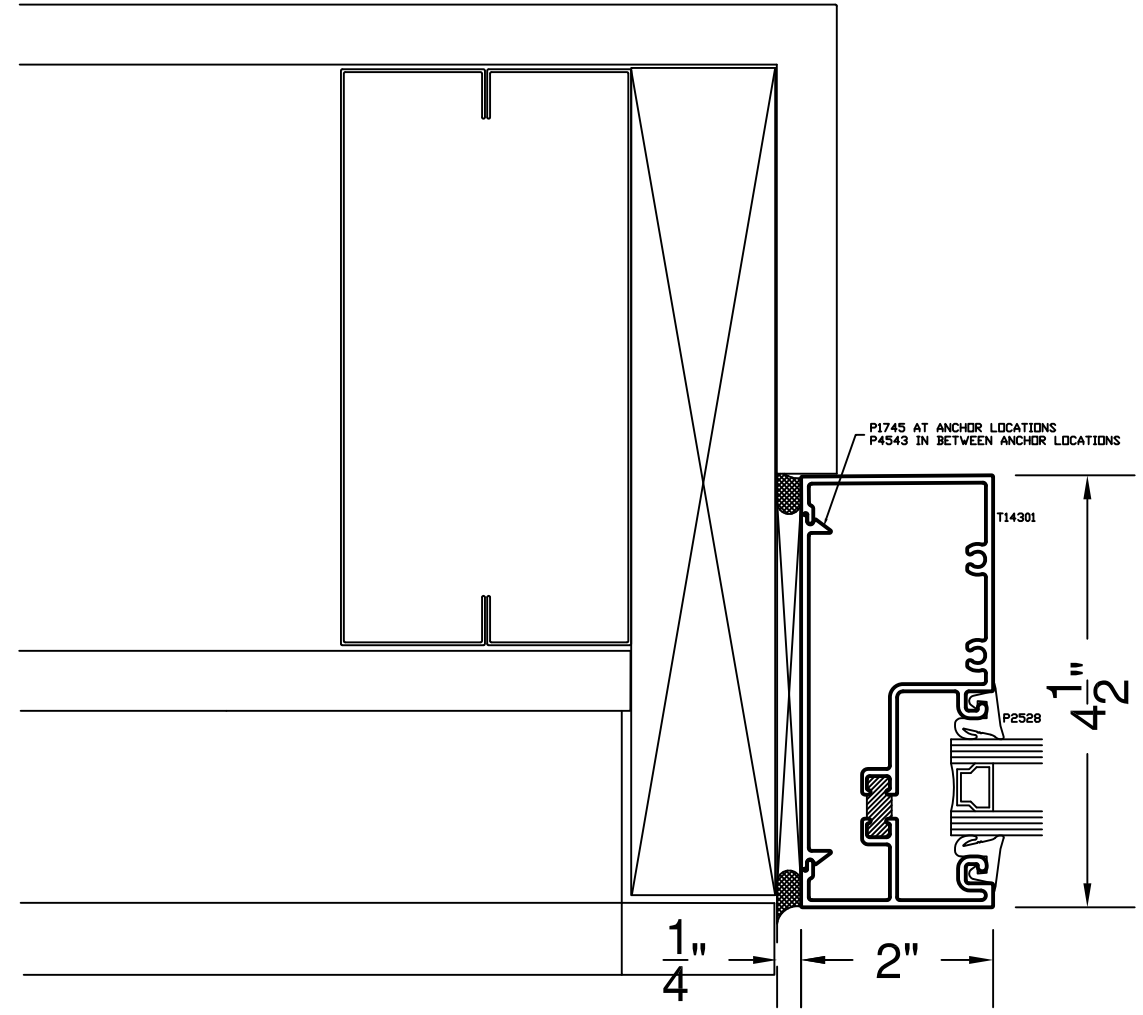
1 CORNER @ A/K



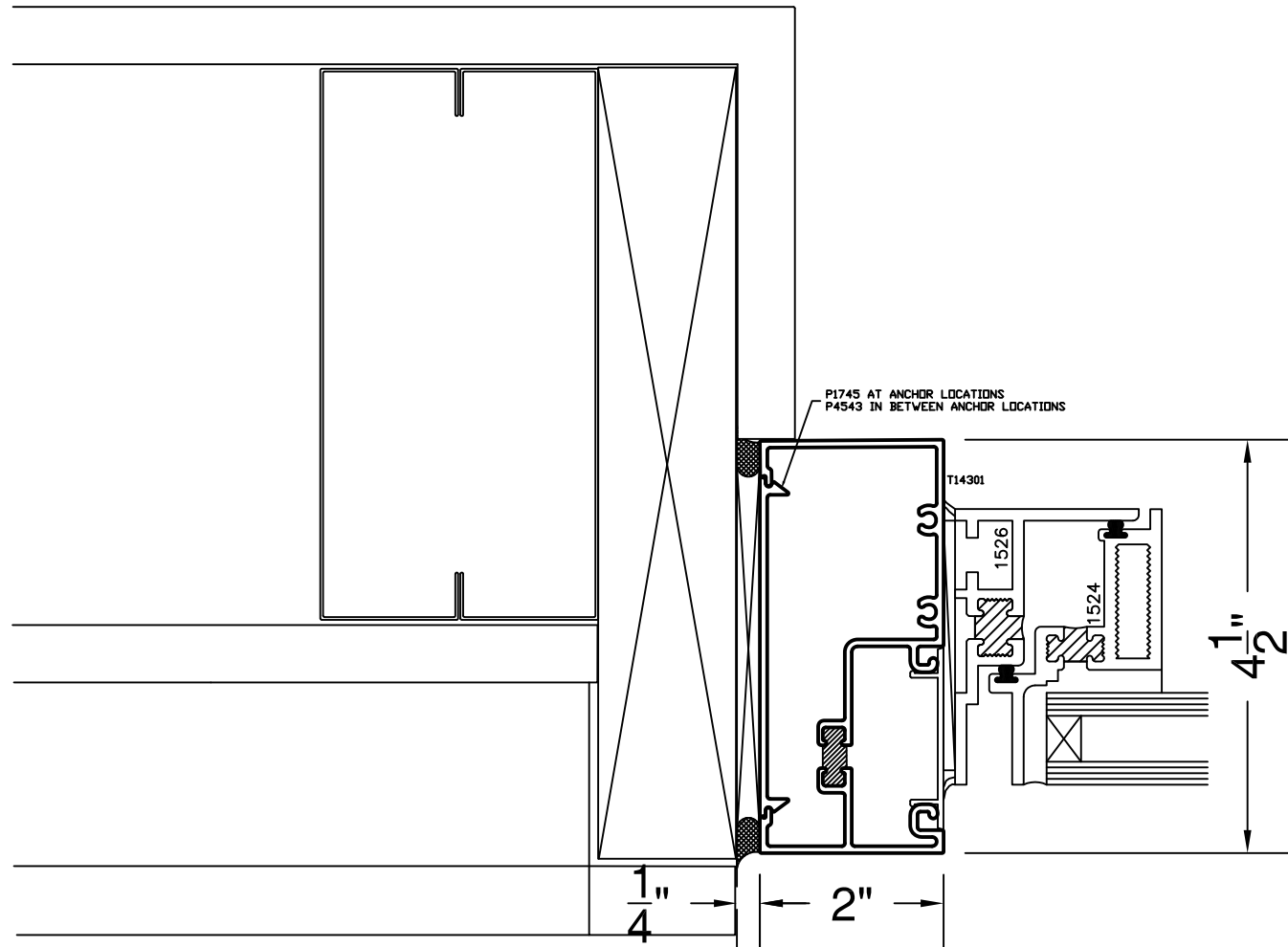
2 FIXED MULLIOM



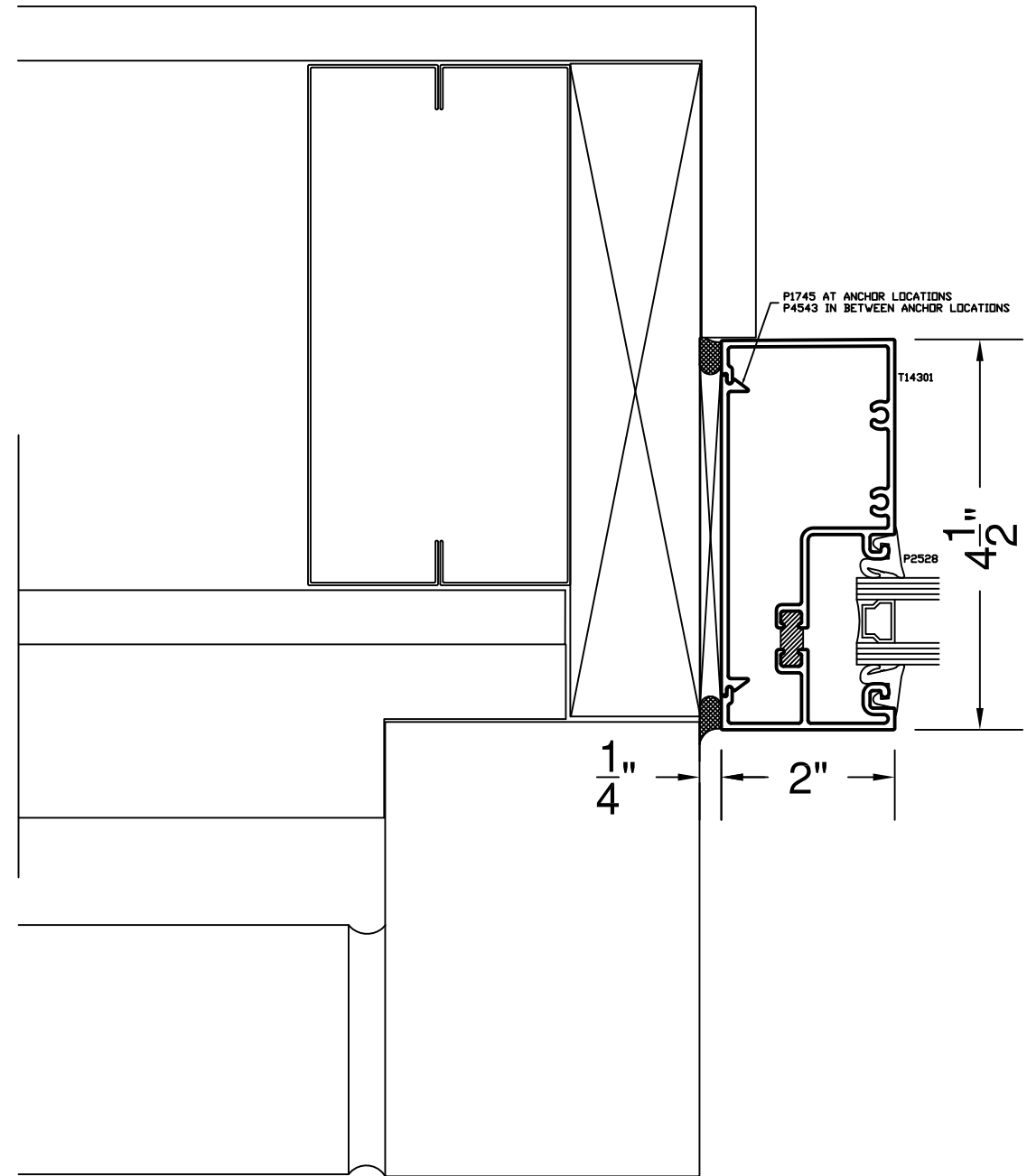
3 FIXED/OPERABLE MULLION



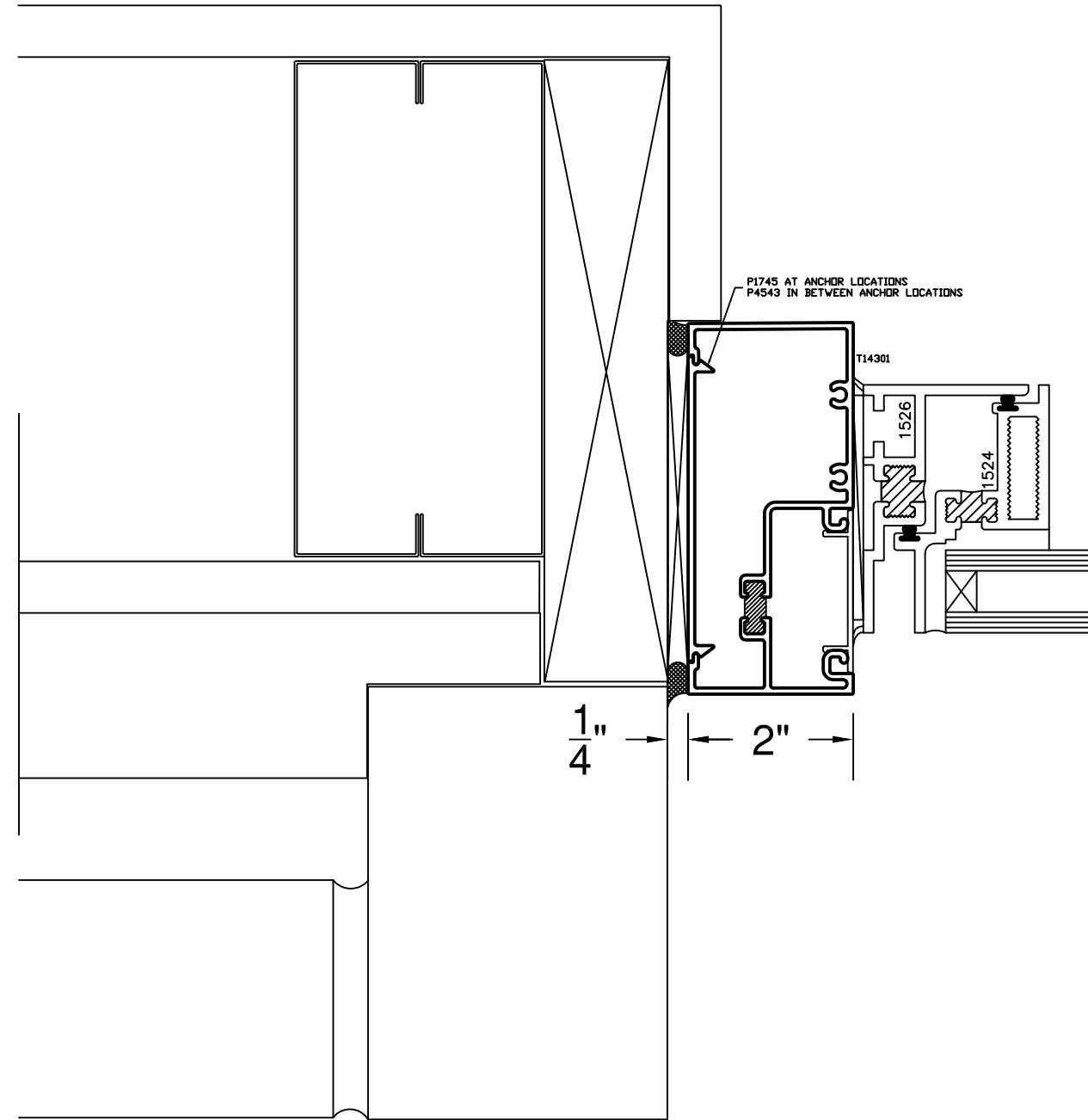
4 FIXED JAMB @ SIDING



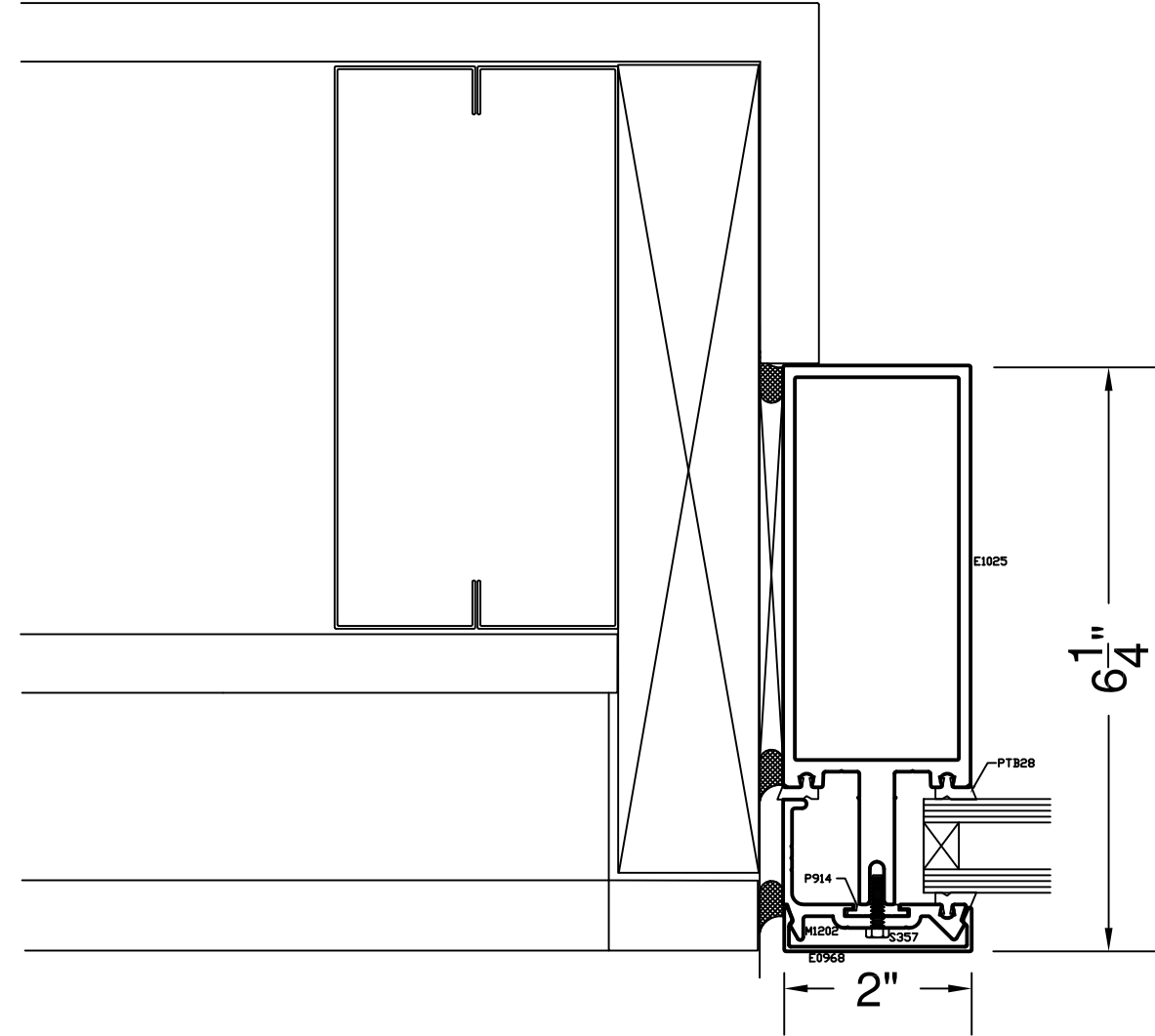
5 OPERABLE JAMB @ SIDING



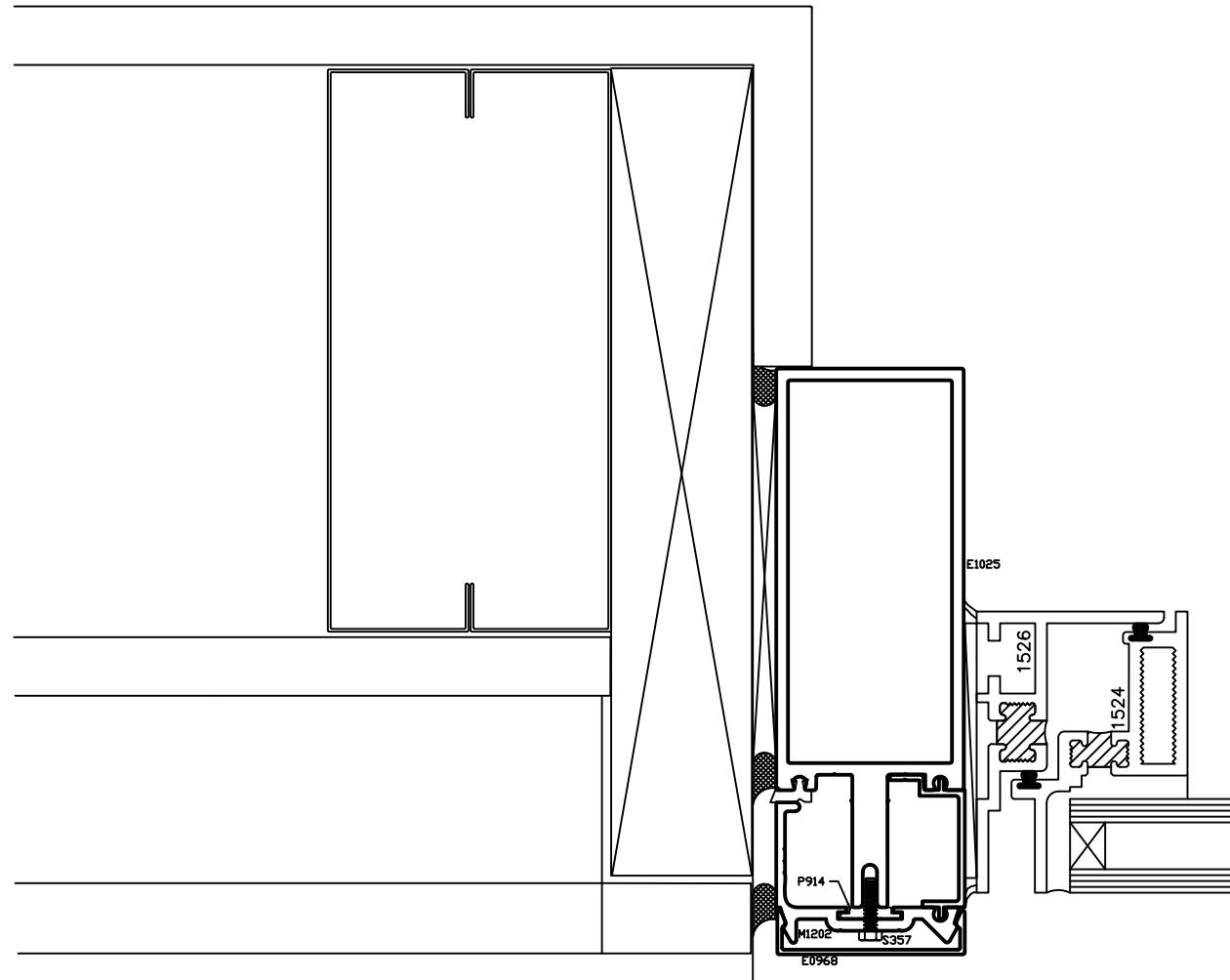
6 FIXED JAMB @ BRICK



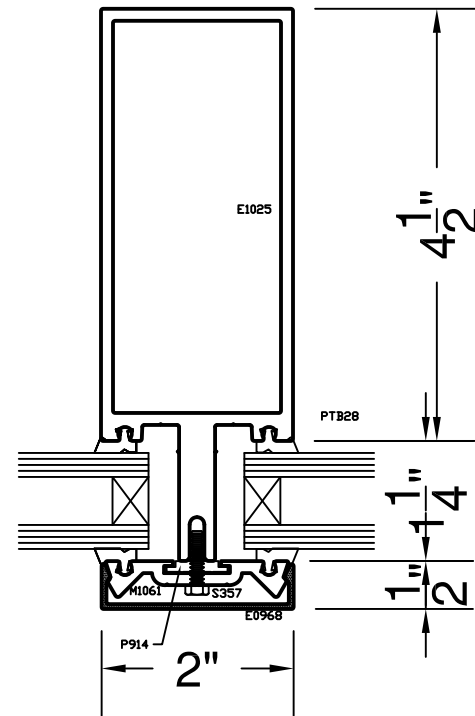
7 OPERABLE JAMB @ BRICK



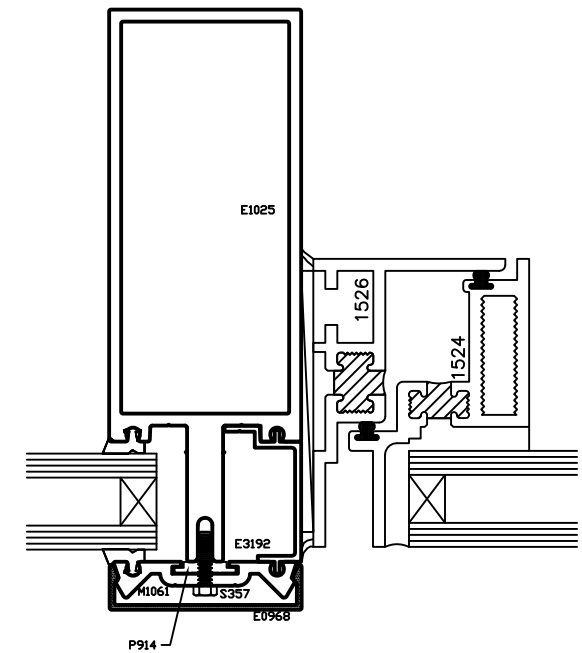
8 FIXED CURTAINWALL JAMB



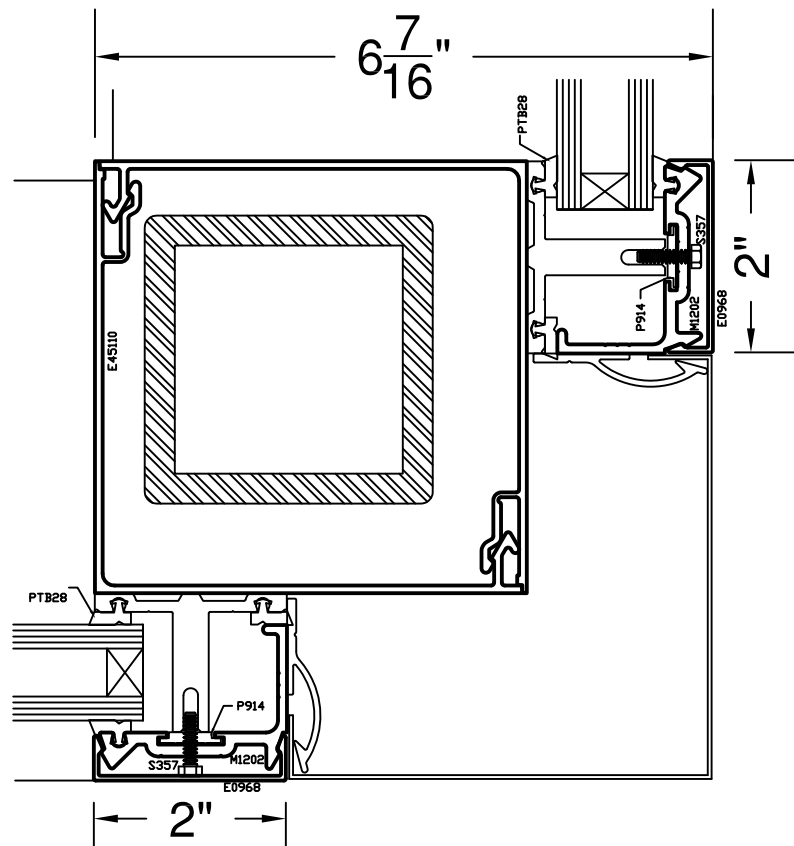
9 OPERABLE CURTAINWALL JAMB



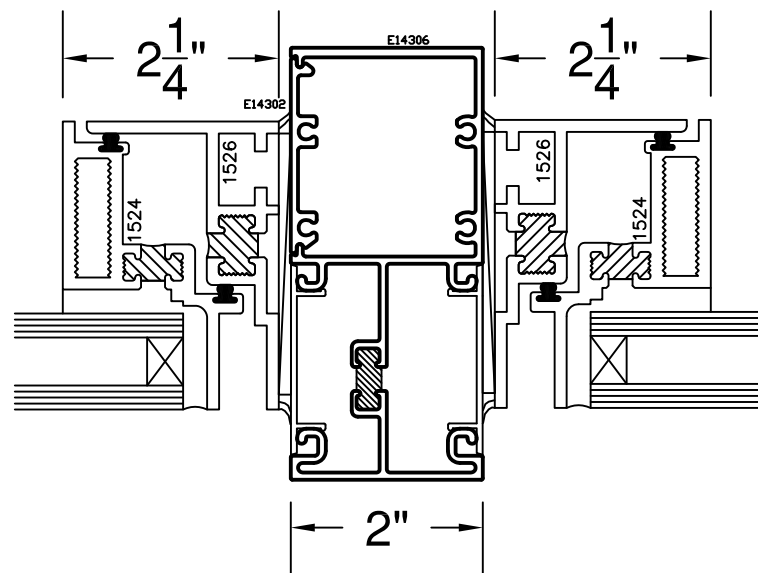
10 FIXED C.W. MULLION



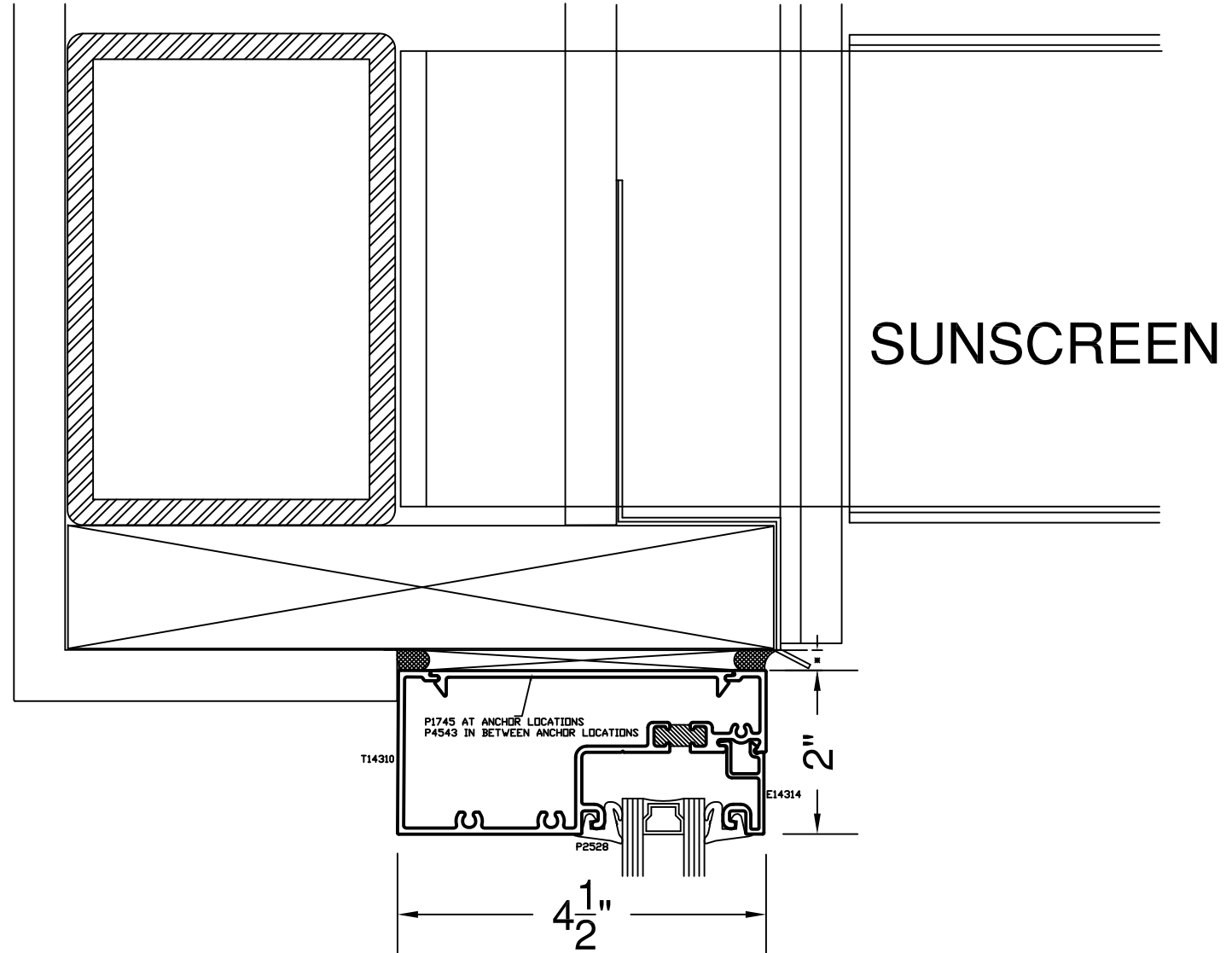
11 FIXED/OPERABLE C.W. MULLION



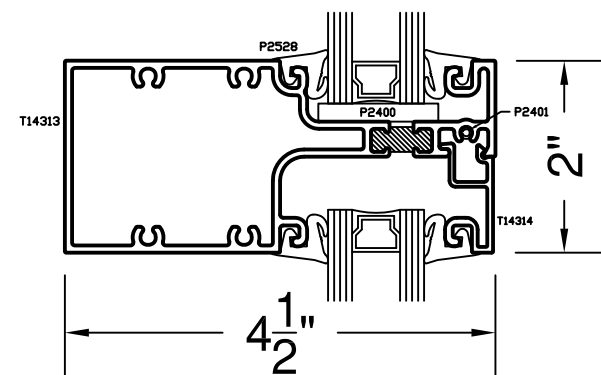
12 CORNER @ D/E



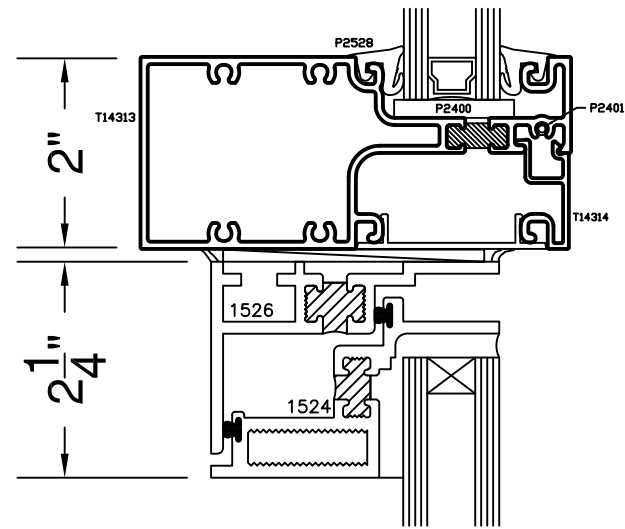
13 OPERABLE C.W. MULLION



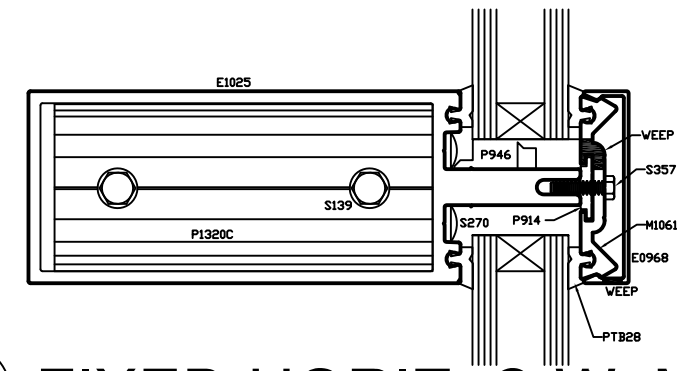
14 HEAD @ SUNSCREENS



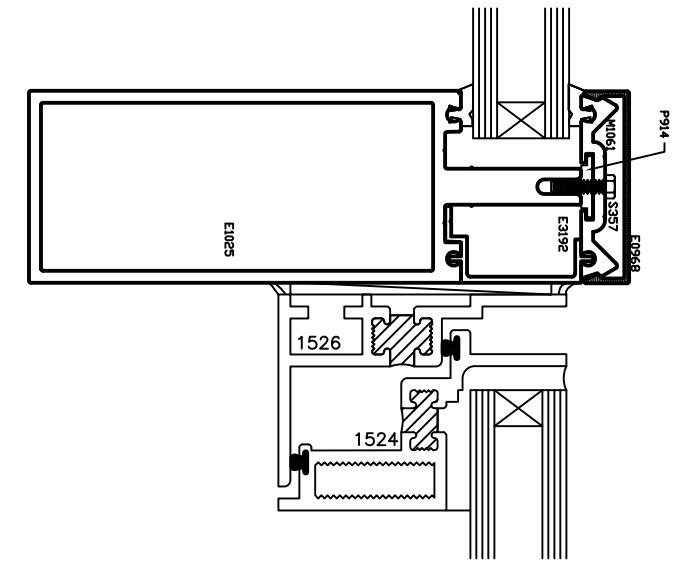
15 FIXED HORIZONTAL MULLION



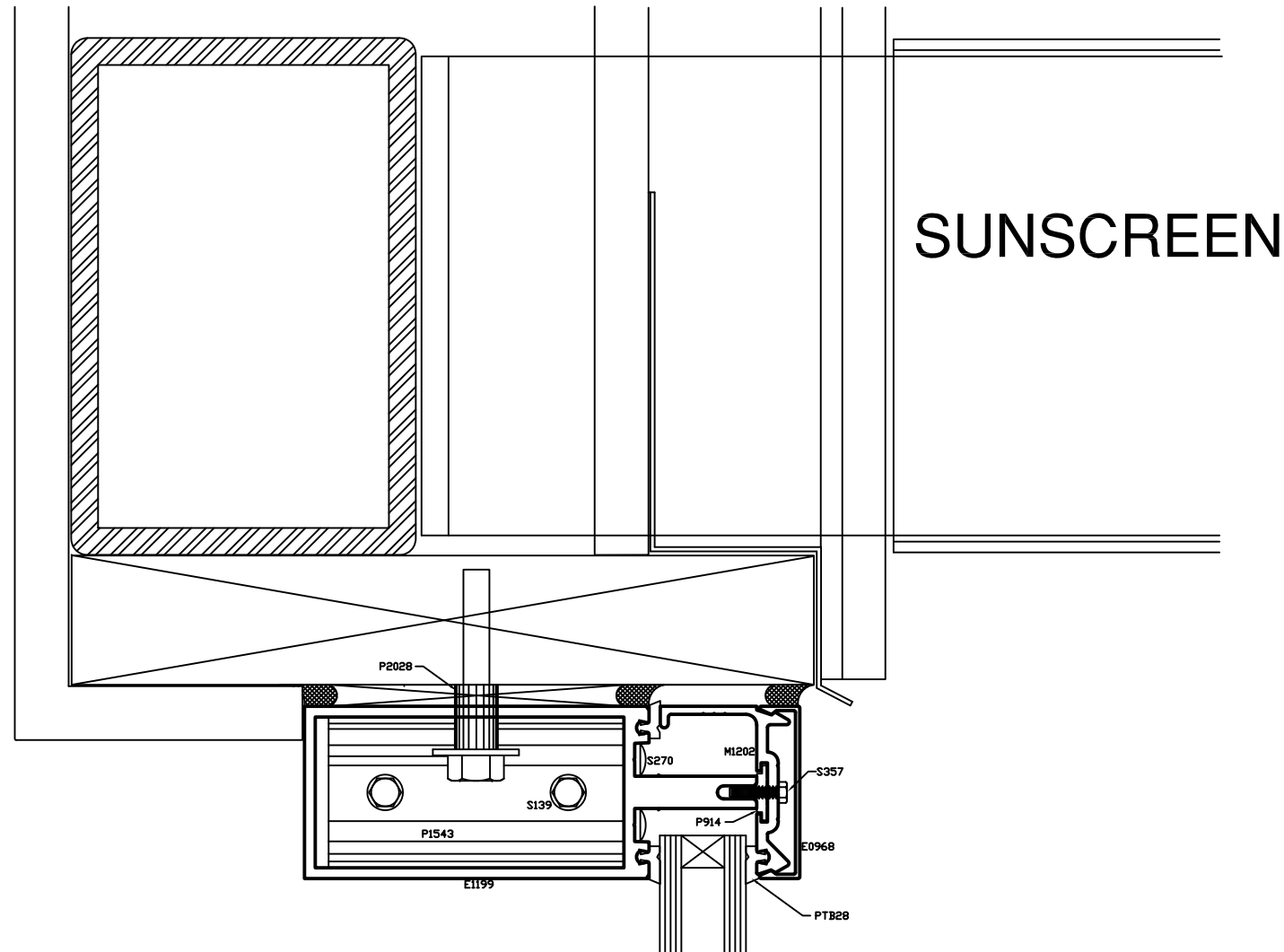
16 FIXED/OPERABLE HORIZ. MULLION



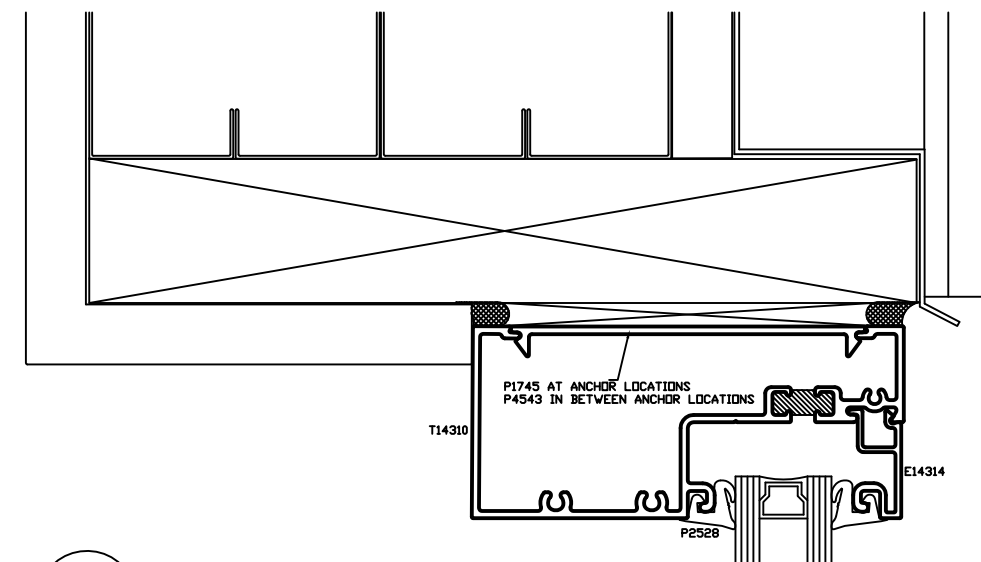
18 FIXED HORIZ. C.W. MULLION



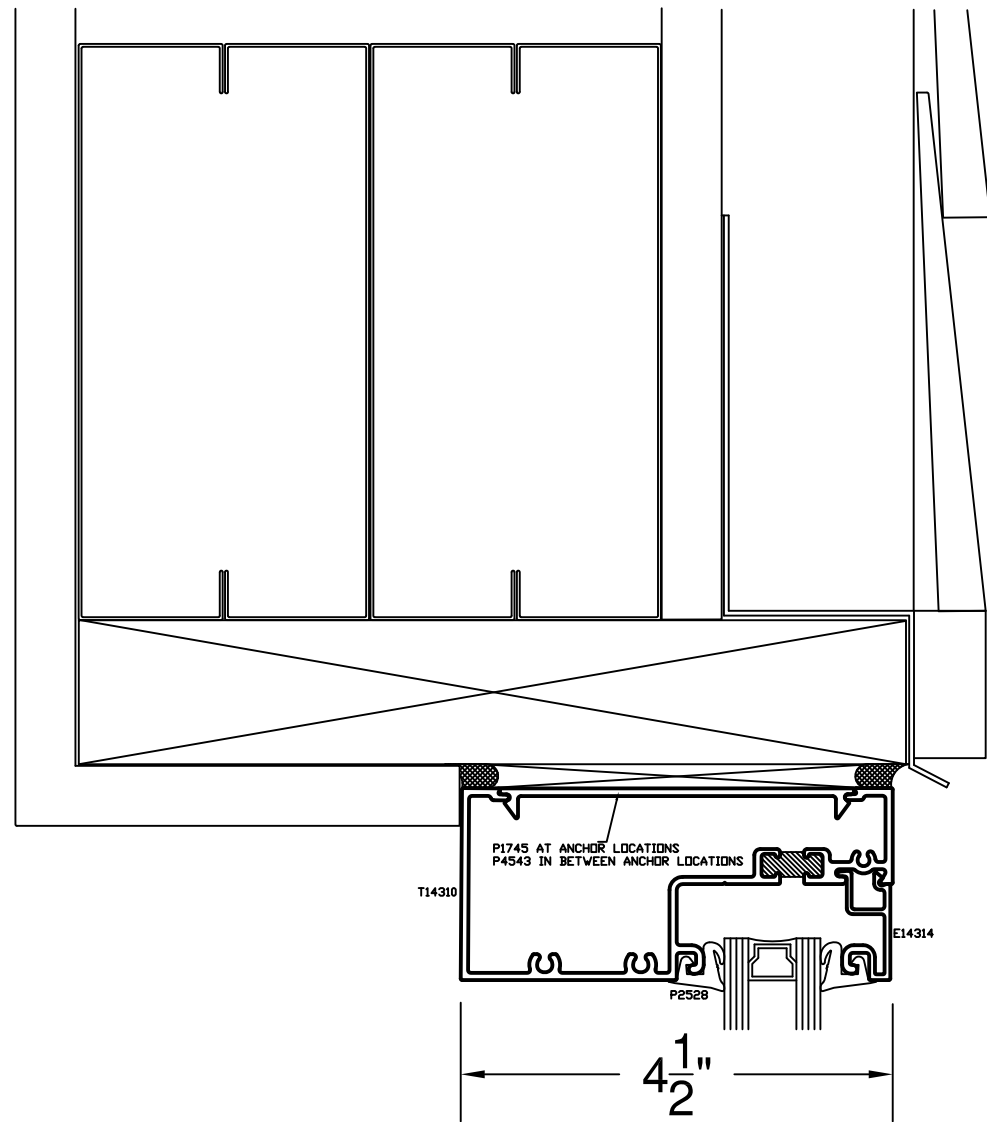
19 FIXED/OPER. HORIZ. MULLION



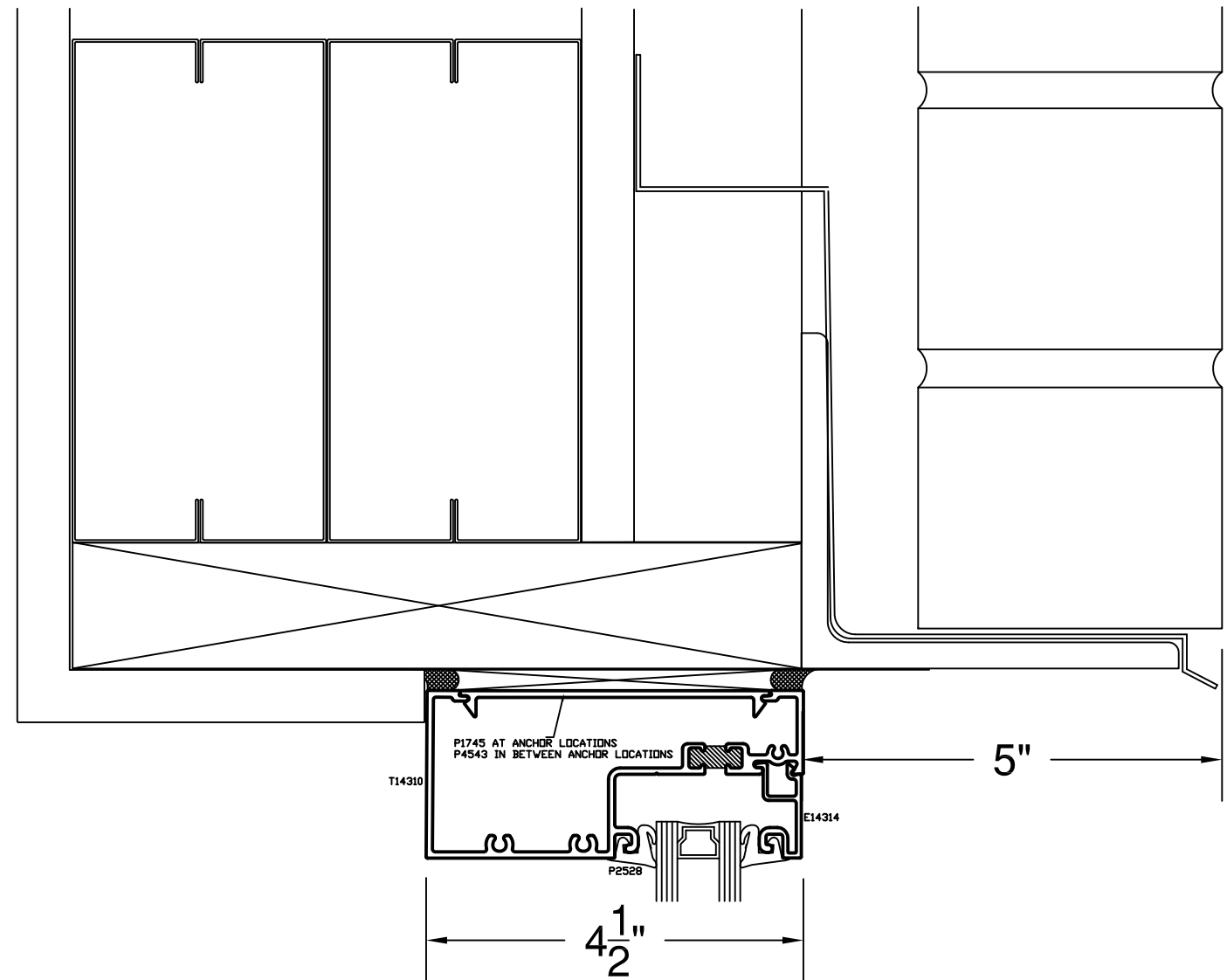
17 CURTAINWALL HEAD



20 HEAD @ VERTICAL SIDING

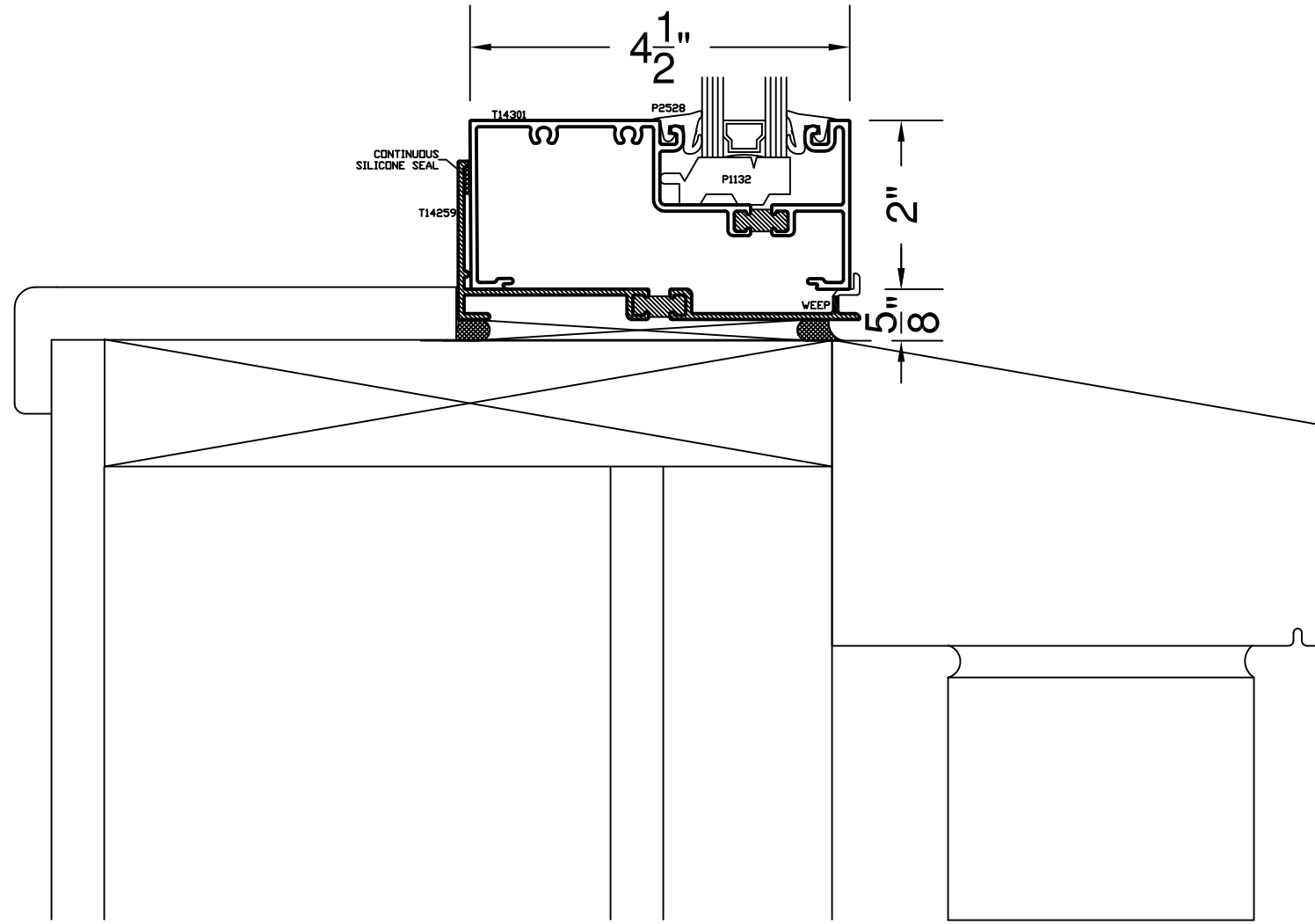


21 HEAD @ HORIZONTAL SIDING

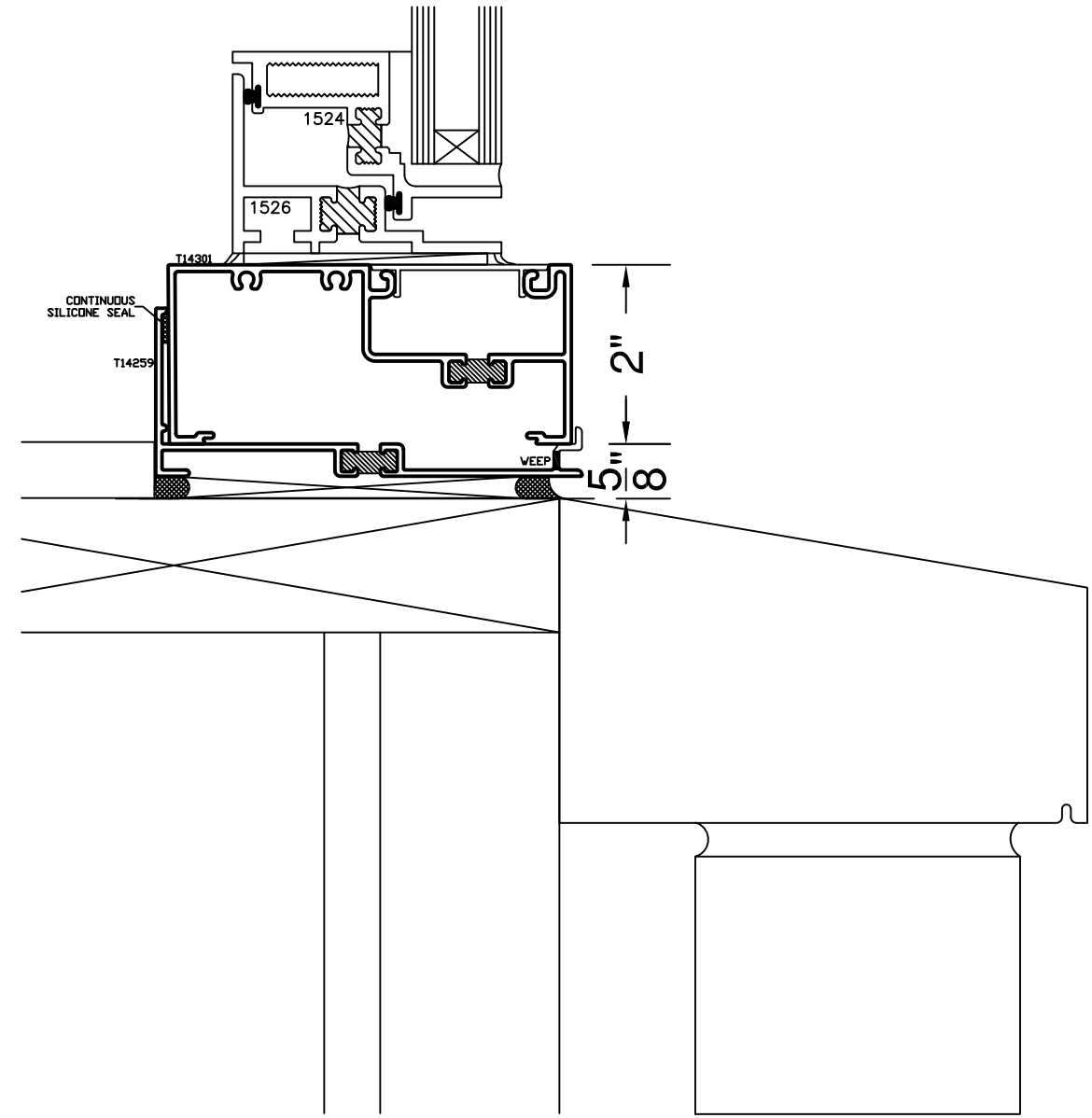


22 HEAD @ BRICK

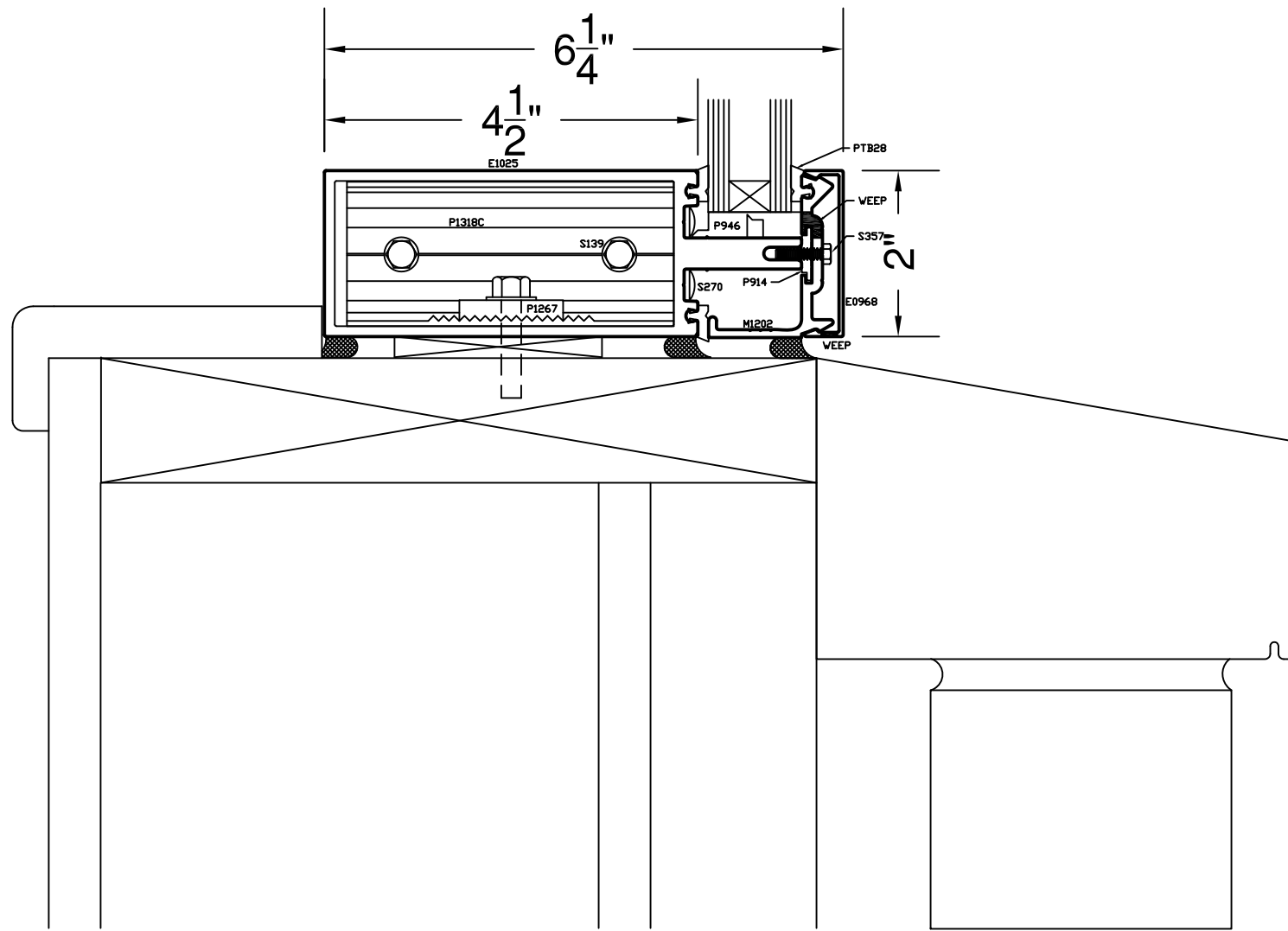




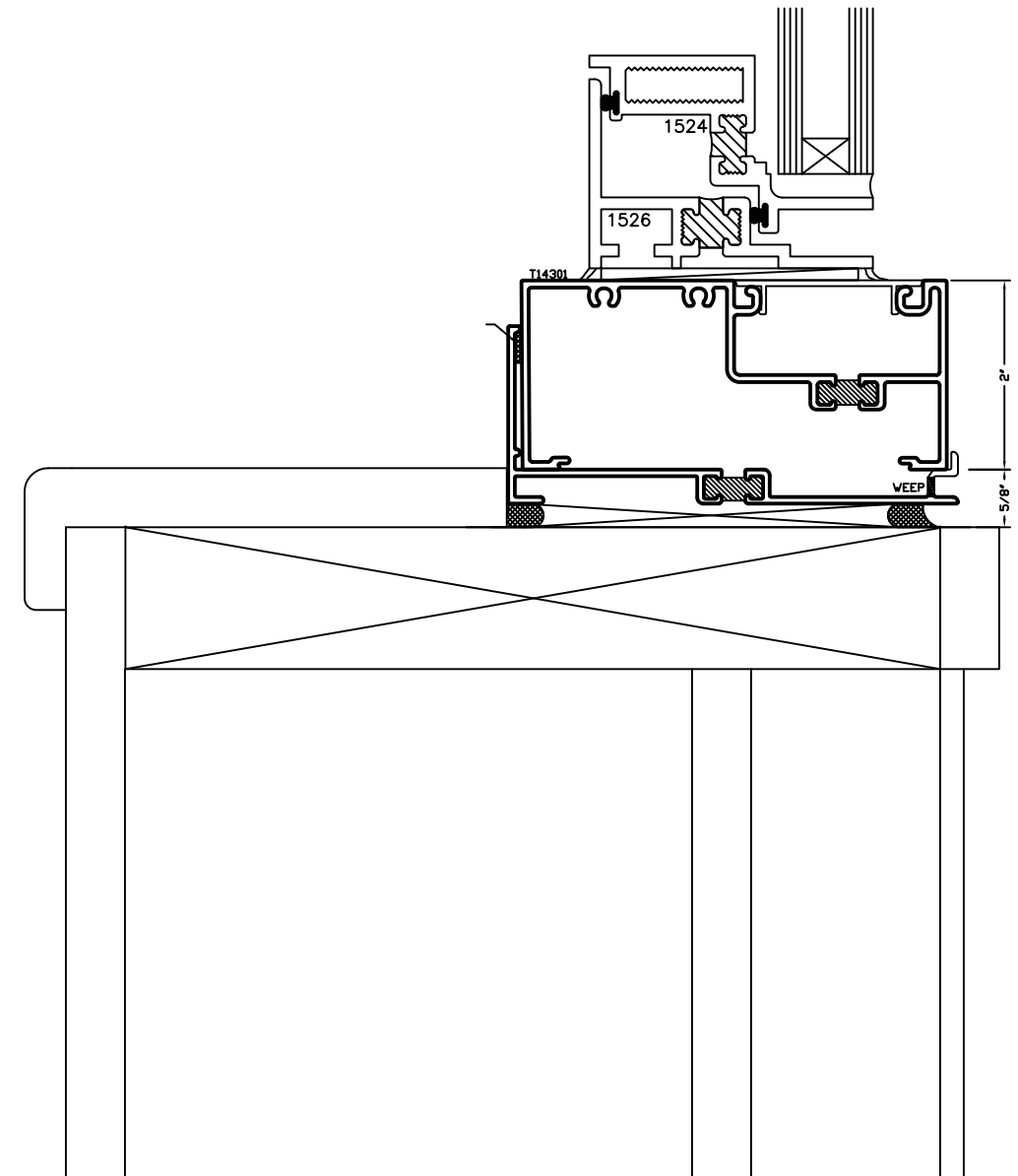
23 FIXED SILL



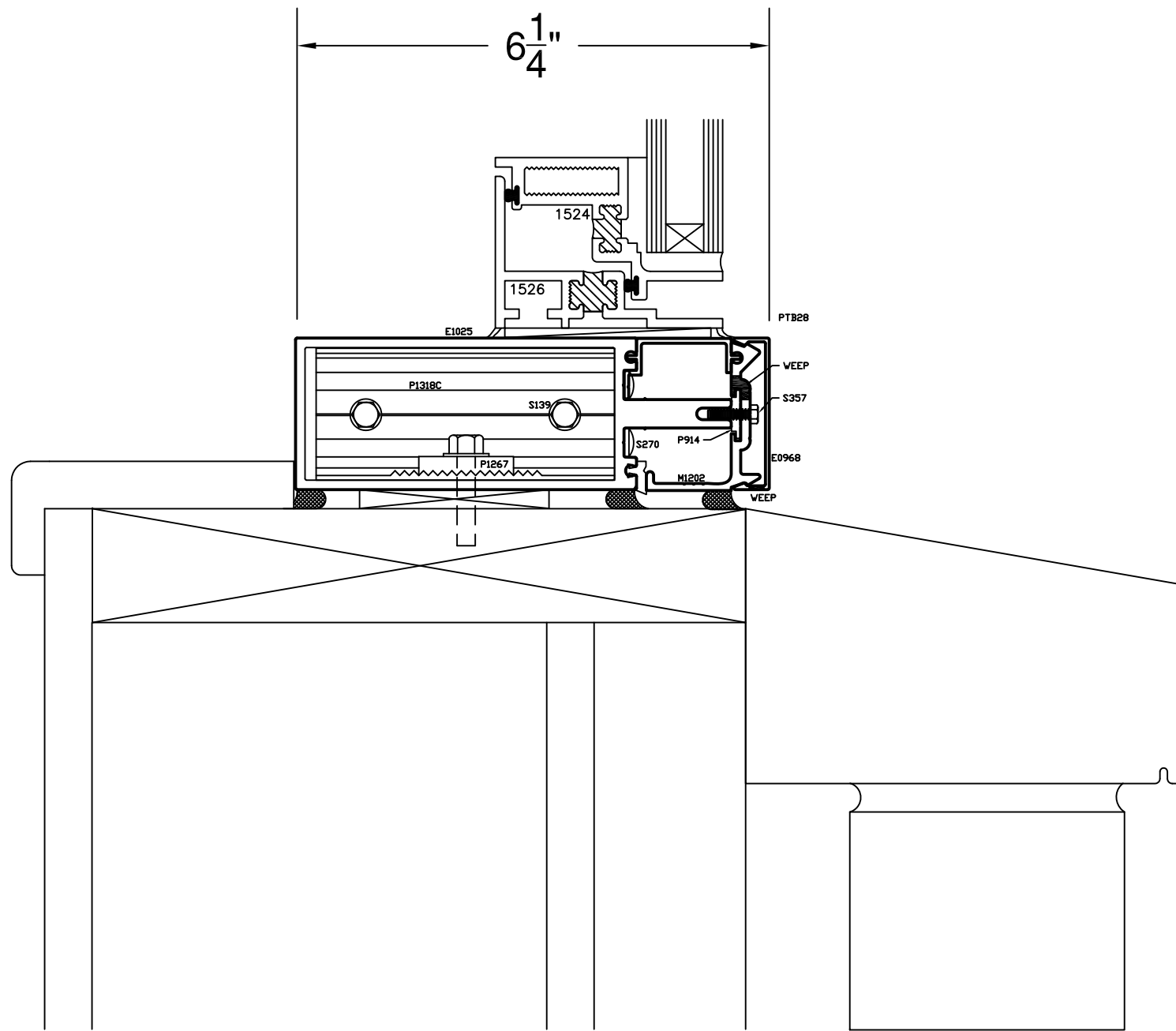
24 OPERABLE SILL



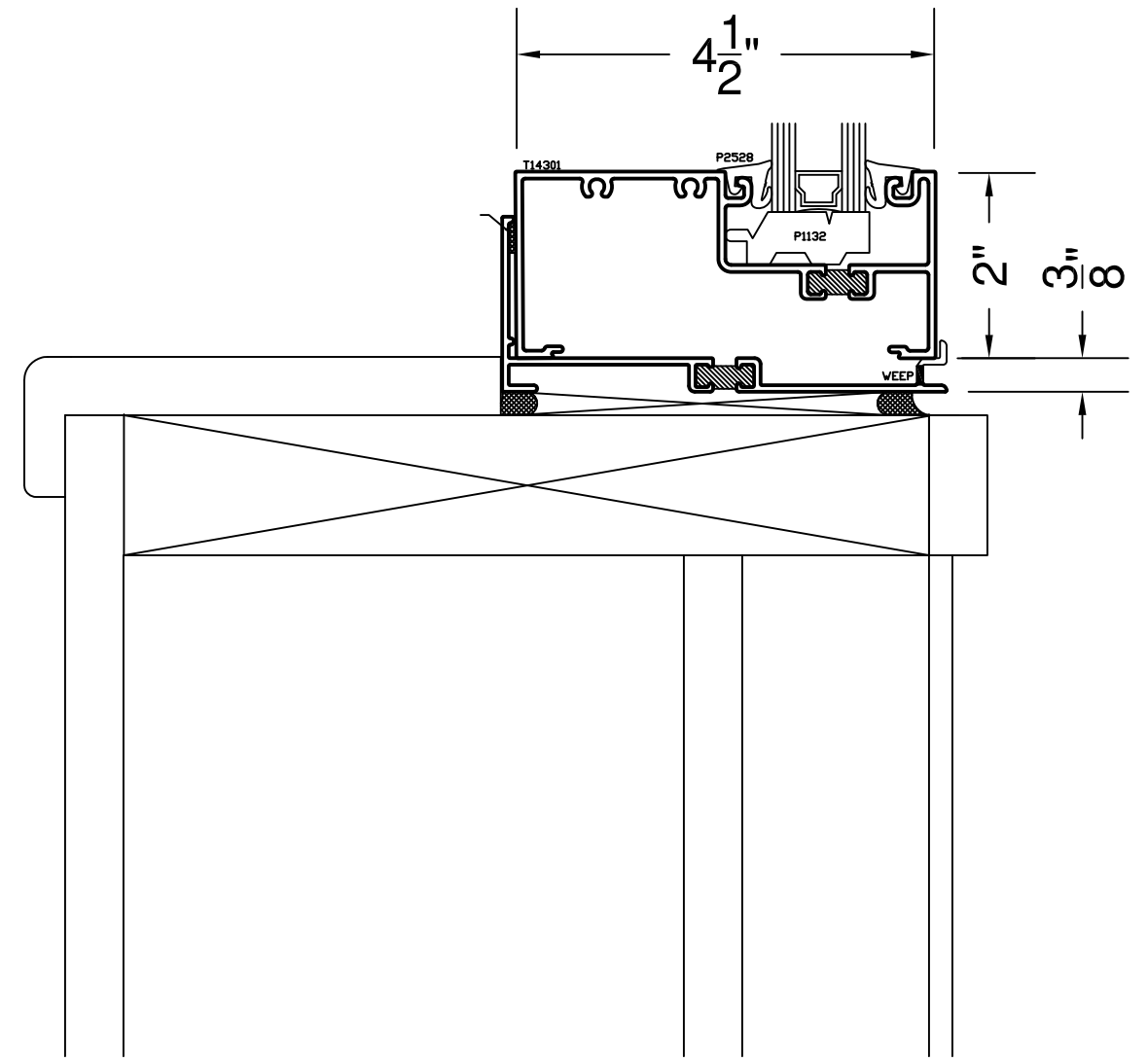
25 FIXED C.W. SILL



26 OPERABLE SILL @ SIDING



27 OPERABLE C.W. SILL



28 FIXED SILL @ SIDING